

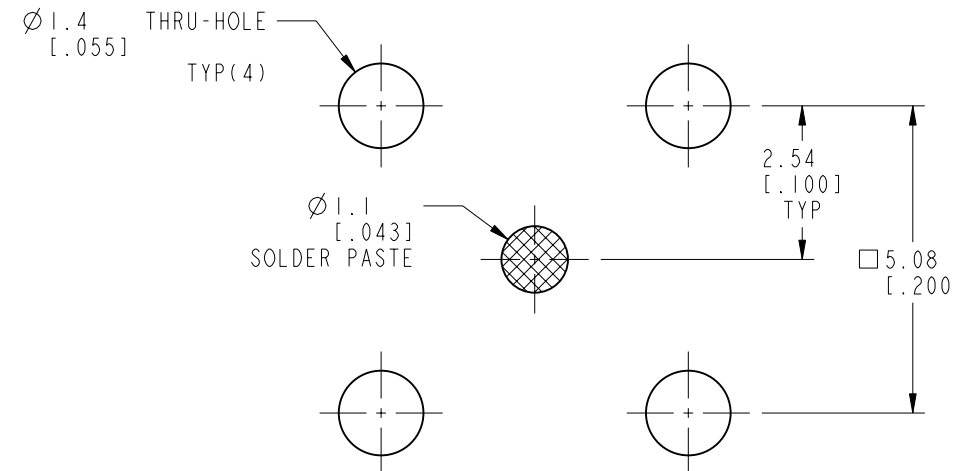
NOTES:

1. MATERIALS AND FINISHES:  
 BODY - BRASS, GOLD PLATING  
 CONTACT - BERYLLIUM COPPER, GOLD PLATING  
 INSULATOR - PTFE
2. ELECTRICAL:  
 A. IMPEDANCE: 50 OHM  
 B. FREQUENCY RANGE: DC - 4 GHz  
 C. DIELECTRIC WITHSTANDING VOLTAGE: 1000 VRMS, MIN.
3. MECHANICAL:  
 A. DURABILITY: 500 CYCLES MIN.  
 B. TEMPERATURE RANGE: -50° C TO 85° C
4. PACKAGING:  
 A. QUANTITY: TRAY PACK  
 B. MARKING: PACKAGING TO BE MARKED  
 "AMPHENOL RF, 919-399J-51P, AND DATE CODE"

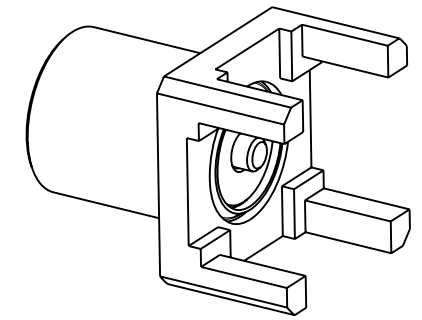
THIRD ANGLE PROJ.

REVISIONS

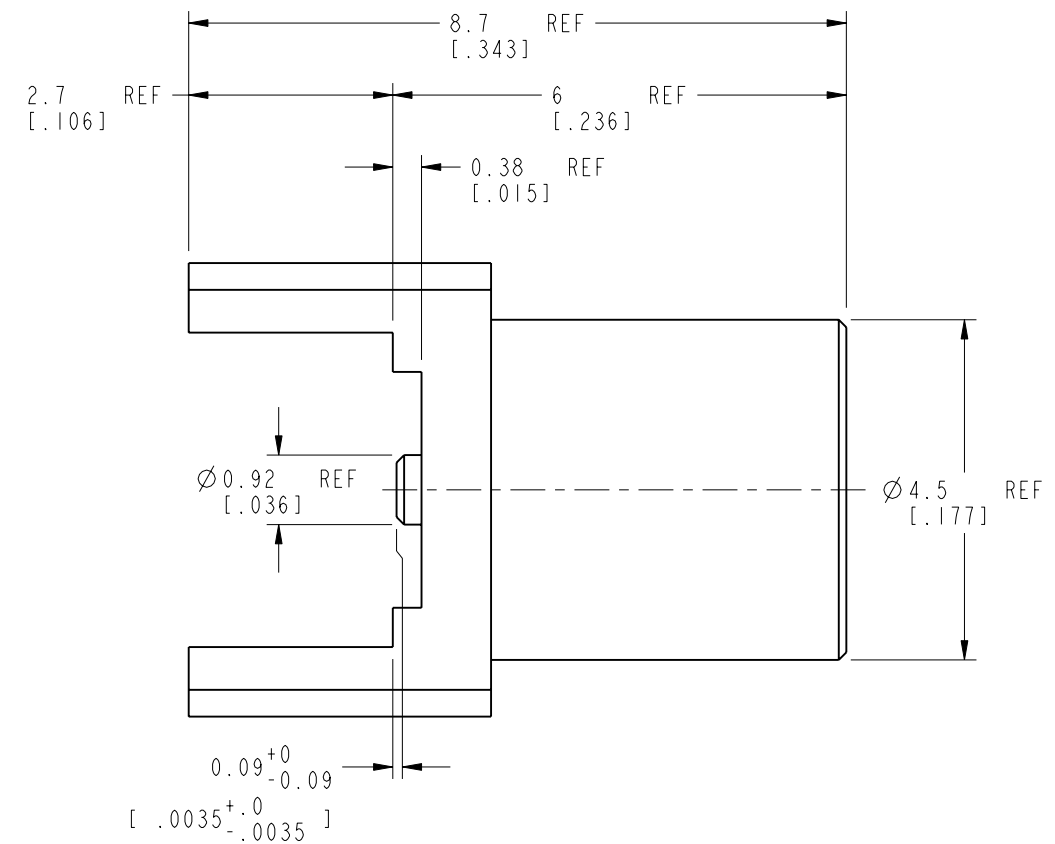
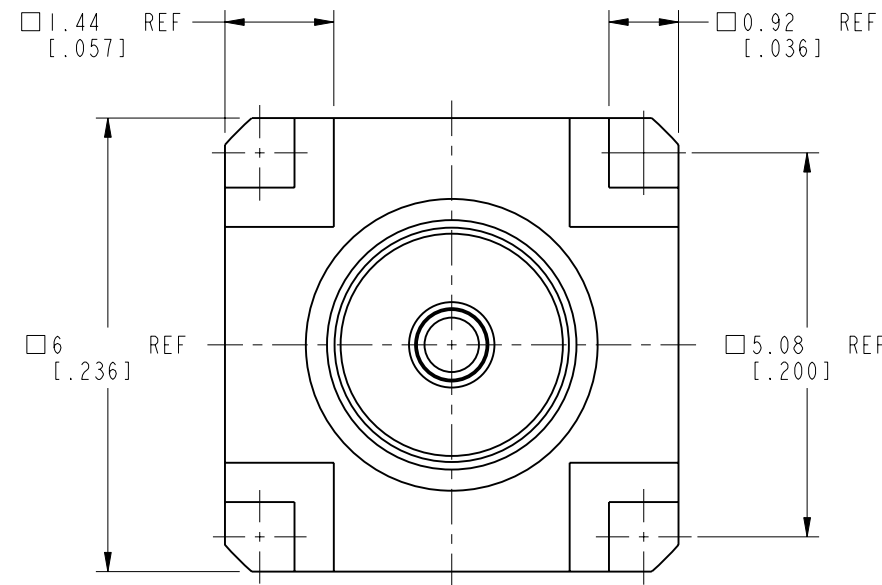
REV	DESCRIPTION	DATE	ECN	APPR
A	RELEASE TO MFG.	06-Sep-19	12841	BEW



RECOMMENDED  
PCB LAYOUT



SCALE 5.000



**CUSTOMER OUTLINE DRAWING**

ALL OTHER SHEETS ARE FOR INTERNAL USE ONLY

UNLESS OTHERWISE SPECIFIED, DIMENSIONS ARE IN METRIC AND TOLERANCES ARE: <0.5mm ±0.05mm    0.5 - 6mm ±0.1mm    6 - 30mm ±0.2mm    30 - 120mm ±0.3mm    ANGLES ±1°	MATERIAL	DRAWN	DATE	TITLE MCX JACK, SURFACE MOUNT CONTACT THRU-HOLE LEGS	Amphenol RF www.amphenolrf.com
	-	S. DUAN	11-Sep-19		
NOTICE - These drawings, specifications, or other data (1) are, and remain the property of Amphenol corp. (2) must be returned upon request; and (3) are confidential and not to be disclosed to any person other than those to whom they are given by Amphenol Corp. the furnishing of these drawings, specifications, or other data by Amphenol Corp., or to any other person to anyone for any purpose is not to be regarded by implication or otherwise in any manner licensing, granting rights to permitting such holder or any other person to manufacture, use or sell any product, process or design, patented or otherwise, that may in any way be related to or disclosed by said drawings, specifications, or other data.	REFERENCE	ENGINEER	DATE	SCALE: 10.0:1.0   SHEET 2 OF 2 DWG SIZE B    REV A	DRAWING NO. 919-399J-51P ITEM NO. 919-399J-51P PART NO. 919-399J-51P
	EAR# 7069 REF: ---	B. WYMAN	11-Sep-19		
CONFIGURATION LEVEL: In Work	FINISH	APPROVED	DATE		
		S. HSIEH	16-Sep-19		
		CAD FILE			