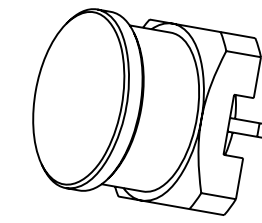


NOTES:

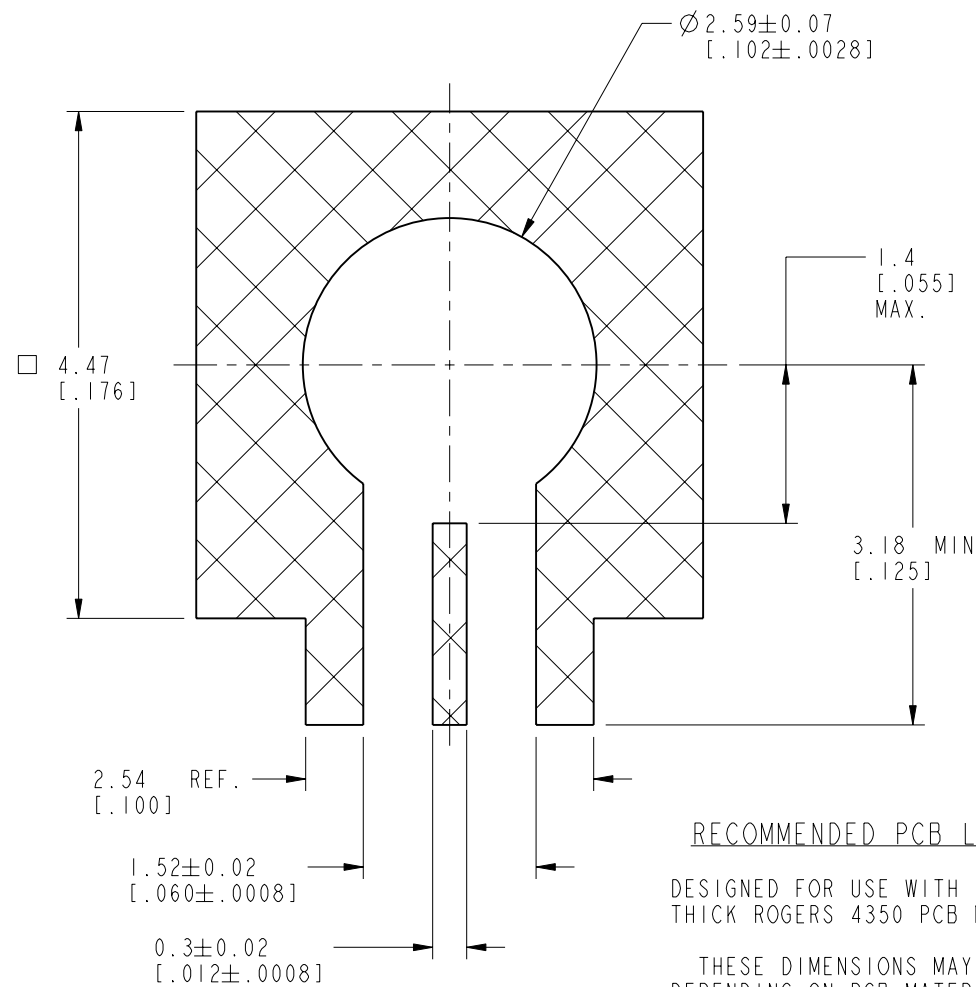
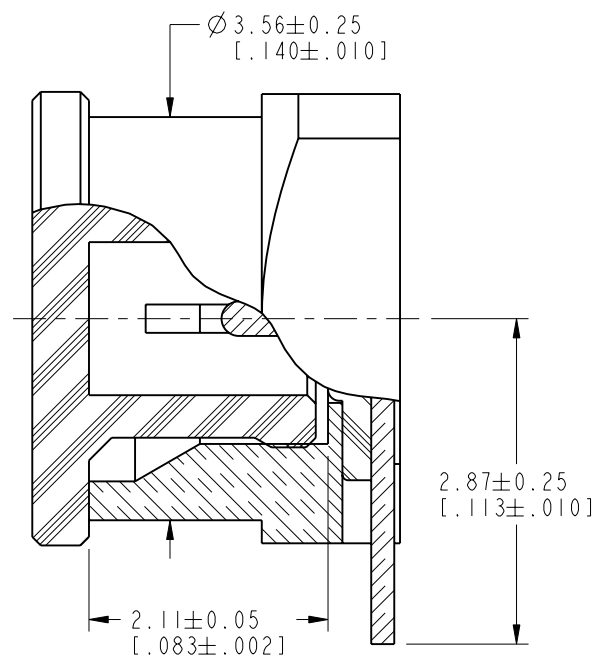
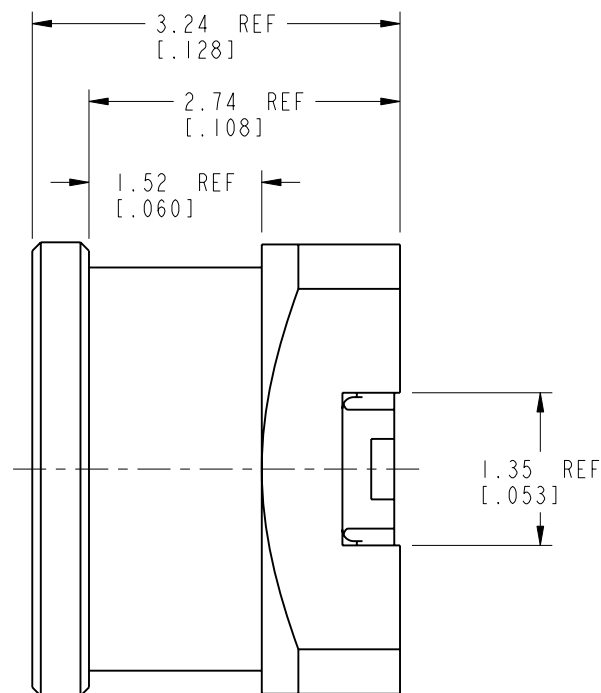
1. MATERIALS AND FINISHES:  
 BODY - BRASS, GOLD PLATING  
 CONTACT - BRASS, GOLD PLATING  
 INSULATOR - LCP, NATURAL
2. ELECTRICAL:  
 A. IMPEDANCE: 50 OHM  
 B. FREQUENCY RANGE: DC - 26.5 GHz  
 C. VSWR(RETURN LOSS): 1.15 MAX AT DC - 10 GHz  
                                   1.25 MAX AT 10 - 26.5 GHz  
 RESULTS WILL VARY BASED ON BOARD CONFIGURATION
3. MECHANICAL:  
 A. DURABILITY: 500 CYCLES MIN.  
 B. TEMPERATURE RANGE: -65° C TO +165° C
4. PACKAGING:  
 A. QUANTITY: TAPE & REEL PACKED, 1000 PCS/REEL  
 B. MARKING: PACKAGING TO BE MARKED  
    "AMPHENOL RF, 925-197J-5IPT, DATE CODE"

THIRD ANGLE PROJ.

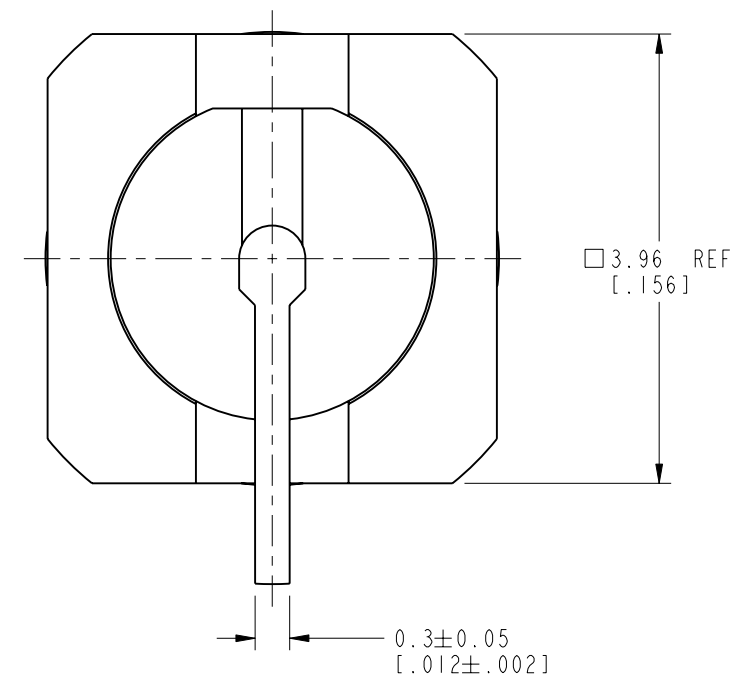
REVISIONS				
REV	DESCRIPTION	DATE	ECN	APPR
A	RELEASE TO MFG.	07-Nov-19	13561	EH



SCALE 6.000



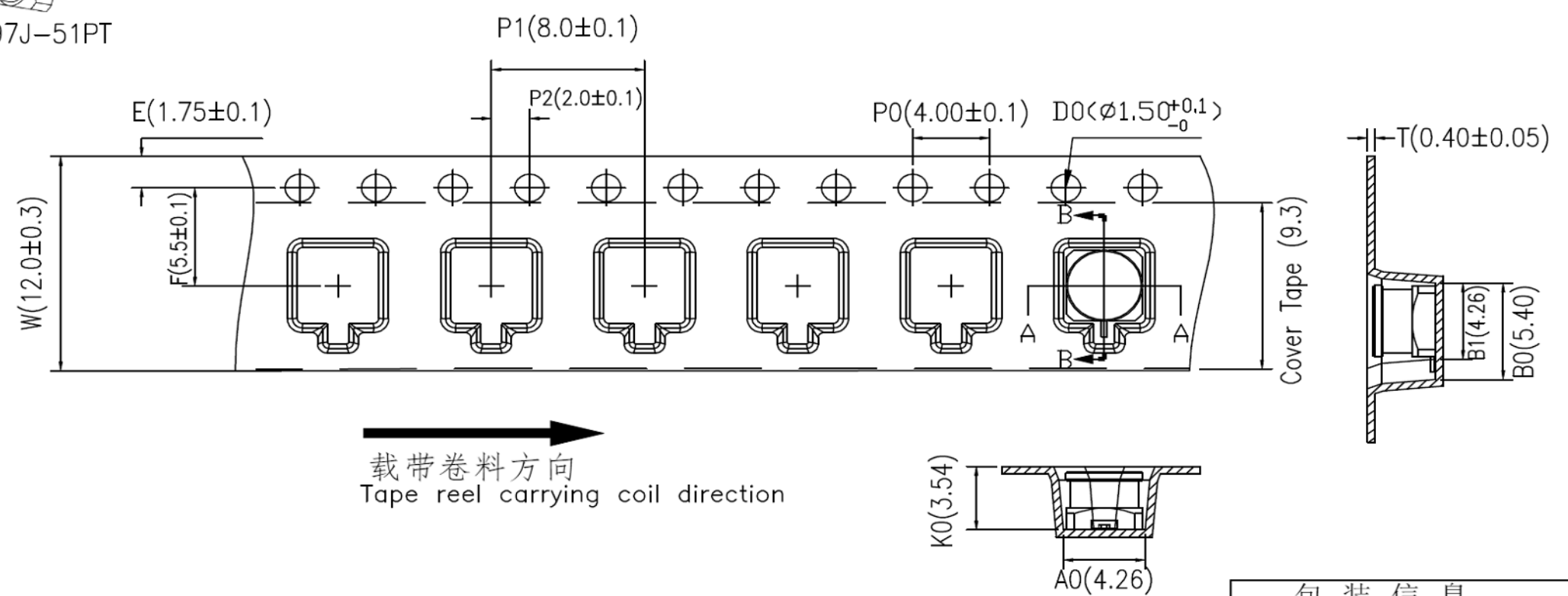
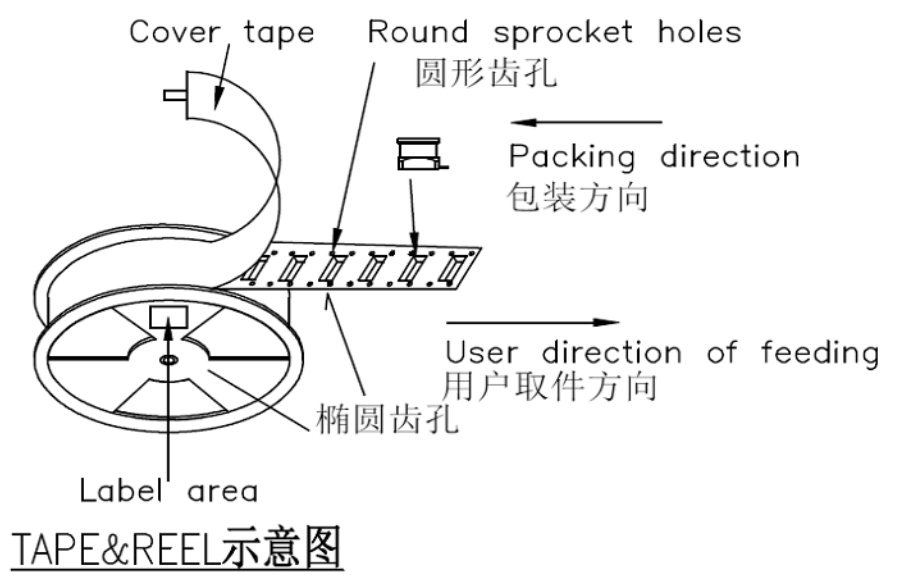
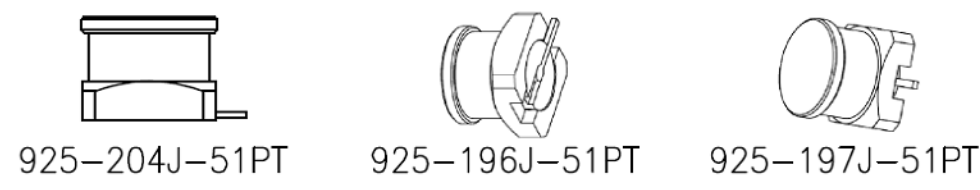
**RECOMMENDED PCB LAYOUT**  
 DESIGNED FOR USE WITH 0.0100"  
 THICK ROGERS 4350 PCB MATERIAL  
 THESE DIMENSIONS MAY VARY  
 DEPENDING ON PCB MATERIAL USED



**CUSTOMER OUTLINE DRAWING**  
 ALL OTHER SHEETS ARE FOR INTERNAL USE ONLY

UNLESS OTHERWISE SPECIFIED, DIMENSIONS ARE IN METRIC AND TOLERANCES ARE: <0.5mm ±0.05mm    0.5 - 6mm ±0.1mm    6 - 30mm ±0.2mm    30 - 120mm ±0.3mm    ANGLES ±1°	MATERIAL NOTE 1	DRAWN WIKI	DATE 15-Nov-19	TITLE SMPM SURFACE MOUNT JACK, SMOOTH BORE TAPE & REEL SCALE: 15.0:1.0 SHEET 2 OF 3 DWG SIZE B    REV A	<b>Amphenol RF</b> www.amphenolrf.com DRAWING NO. 925-197J-5IPT ITEM NO. 925-197J-5IPT PART NO. 925-197J-5IPT
	NOTICE - These drawings, specifications, or other data (1) are, and remain the property of Amphenol corp. (2) must be returned upon request; and (3) are confidential and not to be disclosed to any person other than those to whom they are given by Amphenol Corp. the furnishing of these drawings, specifications, or other data by Amphenol Corp., or to any other person to anyone for any purpose is not to be regarded by implication or otherwise in any manner licensing, granting rights to permitting such holder or any other person to manufacture, use or sell any product, process or design, patented or otherwise, that may in any way be related to or disclosed by said drawings, specifications, or other data.	REFERENCE EAR# 8725 REF: CONFIGURATION LEVEL: In Work FINISH	ENGINEER STAR DATE 25-Nov-19 APPROVED S.HSIEH DATE 25-Nov-19 CAD FILE		

REV	DESCRIPTION	DATE	ECN	APPR
A	RELEASE TO MFG.	07-Nov-19	13561	EH



客户需求只包1000个数量，与  
925-131J-51S共用模具，只需绕半卷更改数量

包装信息	
卷盘	330mmx16mm
卷盘信息	宝蓝连体盘
上封带	13.3MM
每盘格数	1000pcs+前后各空40pcs
生产模具信息	
间距	8mm
模具穴数	12穴
成型模数	90模
每盘长度	8.64M

- Notes:**
- 1. 10 sprocket hole pitch cumulative tolerance ±0.20mm**  
(每10个链轮齿孔径累计公差为±0.2MM)
  - 2. Carrier camber not to exceed 1mm in 250mm.**  
(传送料带弯曲变形度每250MM不超过1MM)
  - 3. A<sub>0</sub> and B<sub>0</sub> measured on a plane 0.3mm above the bottom of the pocket.**(A<sub>0</sub>与B<sub>0</sub>在同一平面测量且距口袋底部0.3MM)
  - 4. K<sub>0</sub> measured from a plane on the inside bottom of the pocket to the top surface of the carrier.**  
(K<sub>0</sub>为口袋底部与材料表面的平面距离。)
  - 5. All dimensions meet EIA-481-D requirements.**  
(所有尺寸符合EIA-481-D标准要求。)
  - 6. Material: Black Antistatic polystyrene .**  
(材料: 黑色聚苯乙烯。)
  - 7. Thickness: 0.40 ±0.05 mm.**  
(厚度: 0.40 ±0.05毫米。)
  - 8. Packing length per 13" reel : 8.64Meters.**  
(每个13"卷轴包装长度8.64米。)
  - 9. Component loader per 13" reel : 1000pcs.**  
(每个13"卷轴可装1000个零件。)

ITEM	W	A <sub>0</sub>	B <sub>0</sub>	K <sub>0</sub>	K <sub>1</sub>	P <sub>1</sub>	F	E	D <sub>0</sub>	D <sub>1</sub>	P <sub>0</sub>	P <sub>2</sub>	T
DIM	12±0.3	4.26±0.1	5.4±0.1	3.54±0.1		8.0±0.1	7.5±0.1	1.75±0.1	1.5 <sup>+0.1</sup> / <sub>-0.00</sub>		4.0±0.1	2.0±0.1	0.4±0.05

UNLESS OTHERWISE SPECIFIED, DIMENSIONS ARE IN METRIC AND TOLERANCES ARE: <0.5mm ±0.05mm    0.5 - 6mm ±0.1mm    6 - 30mm ±0.2mm    30 - 120mm ±0.3mm    ANGLES ±1°	MATERIAL	DRAWN	DATE	TITLE	Amphenol RF www.amphenolrf.com	
	REFERENCE	WIKI	15-Nov-19	SMPM SURFACE MOUNT JACK, SMOOTH BORE TAPE & REEL		
NOTICE - These drawings, specifications, or other data (1) are, and remain the property of Amphenol corp. (2) must be returned upon request; and (3) are confidential and not to be disclosed to any person other than those to whom they are given by Amphenol Corp. the furnishing of these drawings, specifications, or other data by Amphenol Corp., or to any other person to anyone for any purpose is not to be regarded by implication or otherwise in any manner licensing, granting rights to permitting such holder or any other person to manufacture, use or sell any product, process or design, patented or otherwise, that may in any way be related to or disclosed by said drawings, specifications, or other data.	EAR# 8725	ENGINEER	DATE	SCALE: 20.0:1.0 SHEET 3 OF 3	DRAWING NO. 925-197J-51PT	
	REF:	STAR	25-Nov-19	DWG SIZE B	REV A	
	CONFIGURATION LEVEL: In Work	APPROVED	S. HSIEH	DATE		ITEM NO. 925-197J-51PT
	FINISH	CAD FILE	25-Nov-19			PART NO. 925-197J-51PT