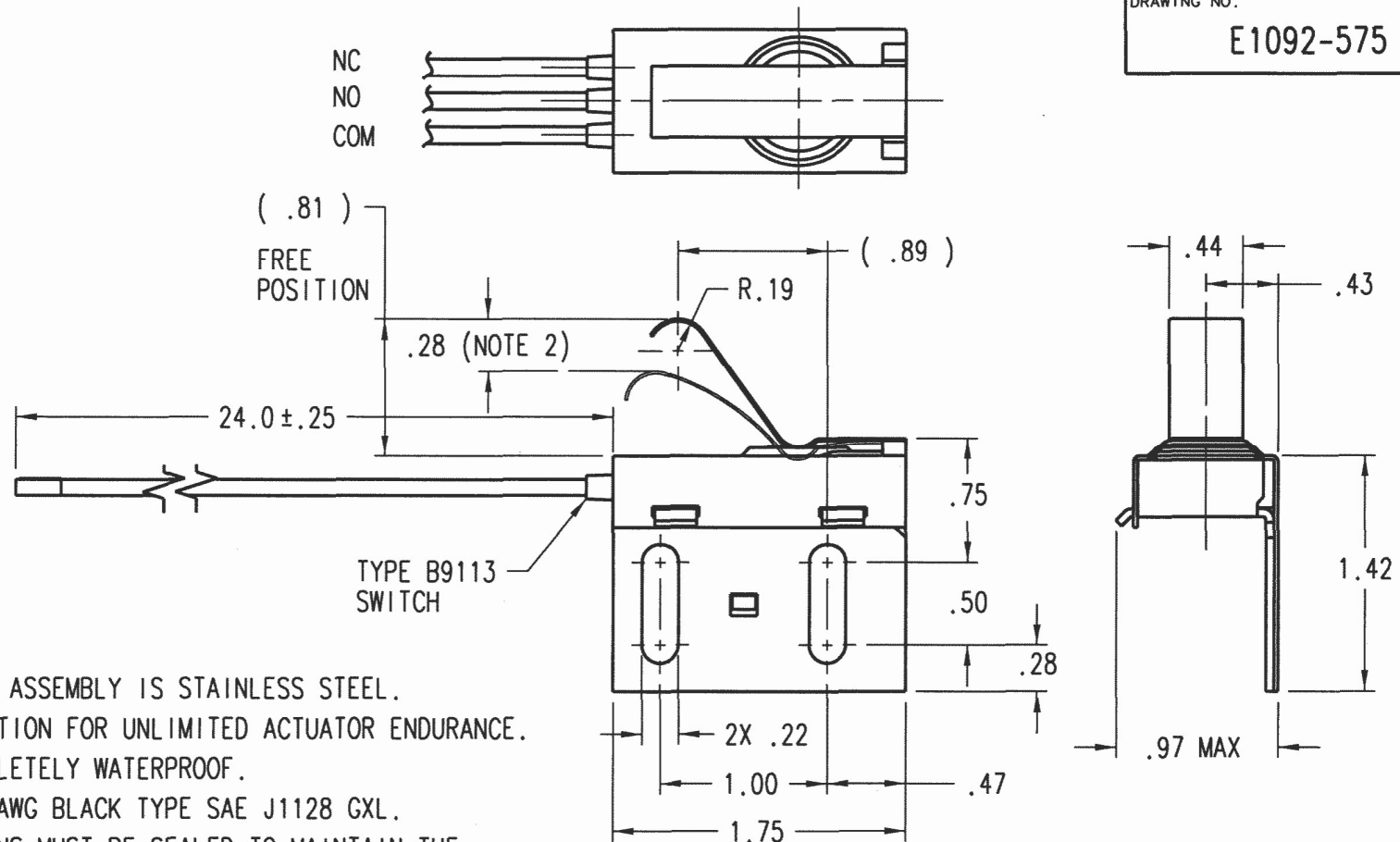


DRAWING NO.

E1092-575



NOTES:

1. ENTIRE BRACKET ASSEMBLY IS STAINLESS STEEL.
2. MAXIMUM DEFLECTION FOR UNLIMITED ACTUATOR ENDURANCE.
3. SWITCH IS COMPLETELY WATERPROOF.
4. WIRES ARE #18 AWG BLACK TYPE SAE J1128 GXL.
5. WIRE CONNECTIONS MUST BE SEALED TO MAINTAIN THE WATERPROOFNESS OF THE SWITCH.
6. SWITCH ACTION: SPDT.
7. ELECTRICAL RATING (28VDC/120VAC): 5 AMP RESISTIVE, 3 AMP INDUCTIVE.
8. PROPER APPLICATION OF THIS PRODUCT IS THE RESPONSIBILITY OF THE USER.

UNLESS OTHERWISE SPECIFIED
DIMENSIONS ARE IN INCHES

TOLERANCES ARE:

.X ± .1 .XX ± .03 .XXX ± .015 ANG ± 5°

APPROVALS

DATE

DRAWN GHS 7/27/21

CHECKED

ISSUED ECN7184 *ROG* 7/27/21

DIGI-KEY

DO NOT SCALE DRAWING

CPI CONTROL PRODUCTS, INC.
EAST HANOVER, NEW JERSEY WWW.CPI-NJ.COM

TITLE

LIMIT SWITCH, SPDT
INSTALLATION DRAWING

SIZE

SCALE

DRAWING NO.

SHEET

A

NONE

E1092-575

1 OF 1

REV	DESCRIPTION	DATE	BY	APP
REVISIONS				

THE INFORMATION FURNISHED HEREIN IS THE PROPERTY OF CONTROL PRODUCTS, INC. AND SHALL NOT BE USED, DISCLOSED TO OTHERS, OR COPIED WITHOUT THE EXPRESS WRITTEN CONSENT OF CONTROL PRODUCTS, INC.

FINISH AND HEAT TREAT