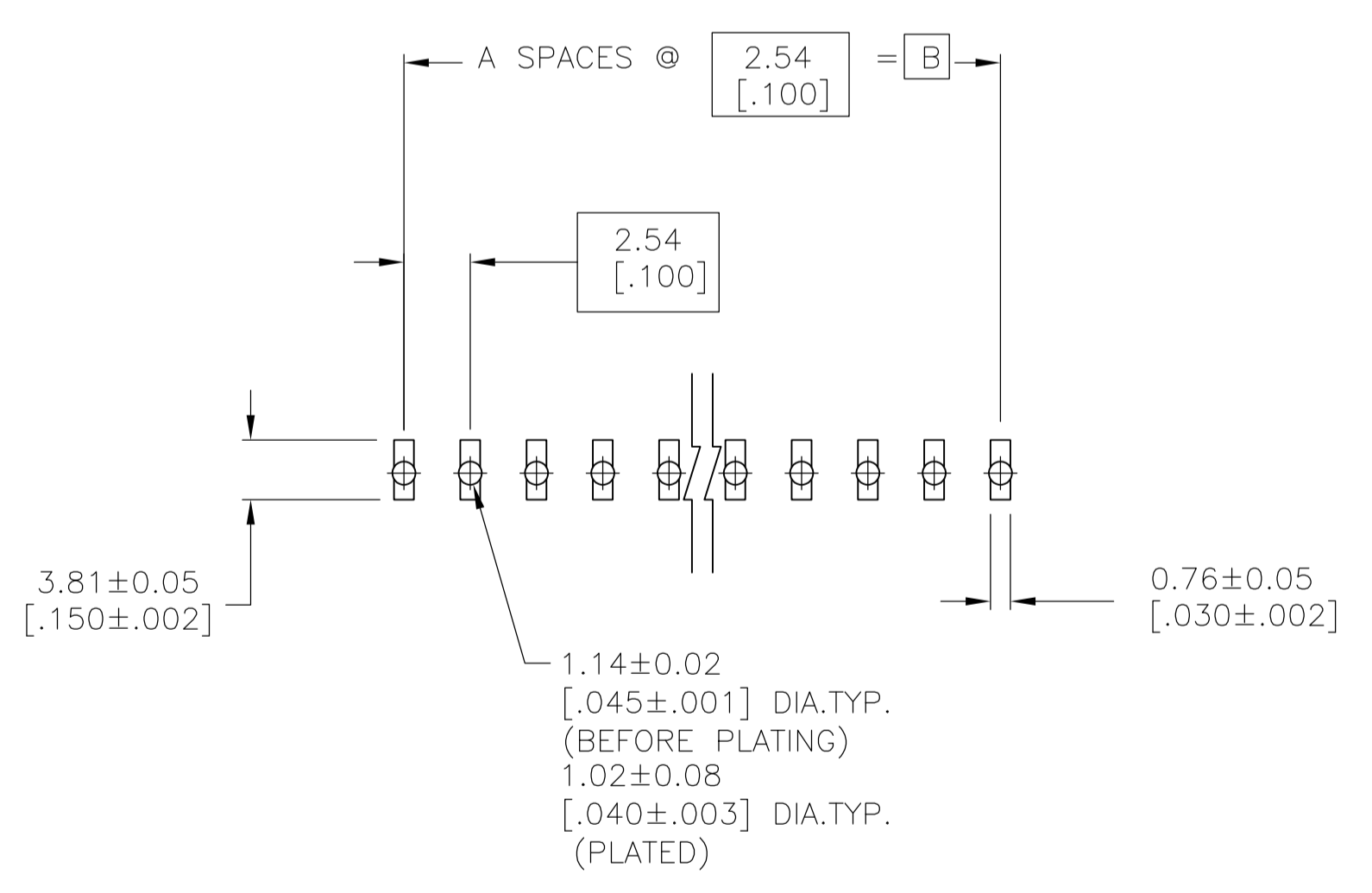
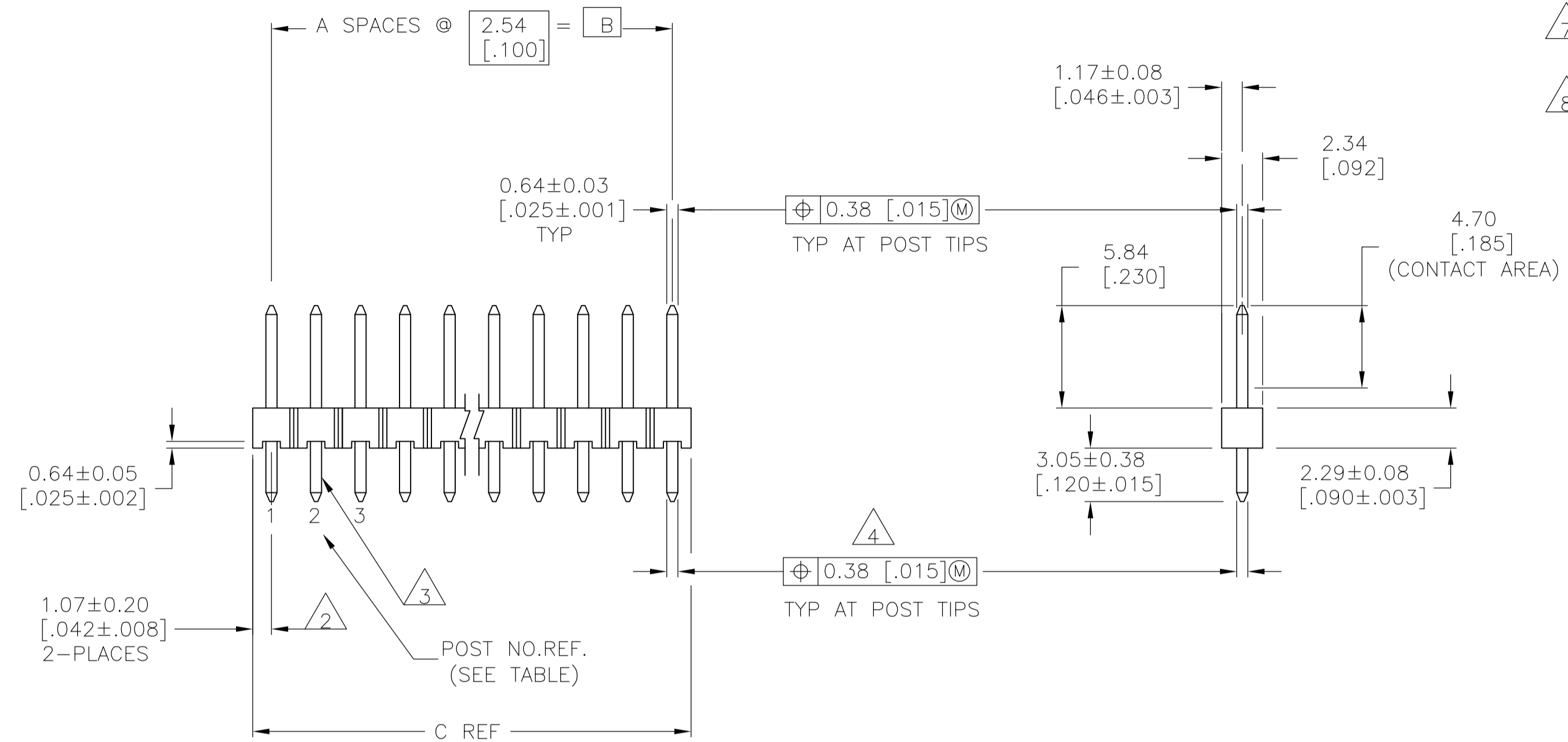


REVISONS		DATE	DWN	APVO
REV	DESCRIPTION			
J	REVISED PER ECO-14-000255	16JUL2014	NK	MM

1. TRUE POSITION TOLERANCE OF THE POST TIPS APPLIES WHEN THE HEADERS ARE HELD FLAT AGAINST THE PRINTED CIRCUIT BOARD.
2. THE NOTED DIMENSIONS APPLY AT THE INTERSECTION OF THE POST AND THE HOUSING.
3. RETENTION FEATURES ON SOLDER TAILS, LOCATED AT MANUFACTURERS OPTION.
4. $\text{M} \text{ } \phi .020$ FOR KINKED TAILS.
5. 0.000127 [.000005] GOLD IN CONTACT AREA, 0.00254-0.00504 [.000100-.000200] MATTE TIN-LEAD ON SOLDER TAIL, ALL OVER 0.00127 [.000050] NICKEL.
6. HOUSING: LCP, COLOR-BLACK. POSTS: COPPER ALLOY.
7. 0.000127 [.000005] GOLD IN CONTACT AREA, 0.00254-0.00504 [.000100-.000200] MATTE TIN ON SOLDER TAIL, ALL OVER 0.00127 [.000050] NICKEL.
8. OBSOLETE PARTS: OBSOLETE CIS STREAMLINING PER D.RENAUD/D.SINISI



RECOMMENDED PC BOARD MOUNTING DIMENSIONS FOR .063 [.160] THICK PC BOARD AND .012 [.305] STENCIL THICK.

REV	DESCRIPTION	DATE	DWN	APVO	PART NUMBER	
5		101.19 [3.984]	99.06 [3.900]	39	40	4-146291-0
5		98.65 [3.884]	96.52 [3.800]	38	39	3-146291-9
5		96.11 [3.784]	93.98 [3.700]	37	38	3-146291-8
5		93.57 [3.684]	91.44 [3.600]	36	37	3-146291-7
5		91.03 [3.584]	88.90 [3.500]	35	36	3-146291-6
5		88.49 [3.484]	86.36 [3.400]	34	35	3-146291-5
5		85.95 [3.384]	83.82 [3.300]	33	34	3-146291-4
5		83.41 [3.284]	81.28 [3.200]	32	33	3-146291-3
5		80.87 [3.184]	78.74 [3.100]	31	32	3-146291-2
5		78.33 [3.084]	76.20 [3.000]	30	31	3-146291-1
5		75.79 [2.984]	73.66 [2.900]	29	30	3-146291-0
5		73.25 [2.884]	71.12 [2.800]	28	29	2-146291-9
5		70.71 [2.784]	68.58 [2.700]	27	28	2-146291-8
5		68.17 [2.684]	66.04 [2.600]	26	27	2-146291-7
5		65.63 [2.584]	63.5 [2.500]	25	26	2-146291-6
5		63.09 [2.484]	60.96 [2.400]	24	25	2-146291-5
5		60.55 [2.384]	58.42 [2.300]	23	24	2-146291-4
5		58.01 [2.284]	55.88 [2.200]	22	23	2-146291-3
5		55.47 [2.184]	53.34 [2.100]	21	22	2-146291-2
5		52.93 [2.084]	50.80 [2.000]	20	21	2-146291-1
5		50.39 [1.984]	48.26 [1.900]	19	20	2-146291-0
5		47.85 [1.884]	45.72 [1.800]	18	19	1-146291-9
5		45.31 [1.784]	43.18 [1.700]	17	18	1-146291-8
5		42.77 [1.684]	40.64 [1.600]	16	17	1-146291-7
5		40.23 [1.584]	38.10 [1.500]	15	16	1-146291-6
5		37.69 [1.484]	35.56 [1.400]	14	15	1-146291-5
5		35.15 [1.384]	33.02 [1.300]	13	14	1-146291-4
5		32.61 [1.284]	30.48 [1.200]	12	13	1-146291-3
5		30.07 [1.184]	27.94 [1.100]	11	12	1-146291-2
5		27.53 [1.084]	25.40 [1.000]	10	11	1-146291-1
5		24.99 [.984]	22.86 [.900]	9	10	1-146291-0
5		22.45 [.884]	20.32 [.800]	8	9	146291-9
5		19.91 [.784]	17.78 [.700]	7	8	146291-8
5		17.37 [.684]	15.24 [.600]	6	7	146291-7
5		14.83 [.584]	12.70 [.500]	5	6	146291-6
5		12.29 [.484]	10.16 [.400]	4	5	146291-5
5		9.75 [.384]	7.62 [.300]	3	4	146291-4
5		7.21 [.284]	5.08 [.200]	2	3	146291-3
5		4.67 [.184]	2.54 [.100]	1	2	146291-2
5		2.13 [.084]	-	0	1	146291-1

SUPERSEDED BY 146267-1
OBSOLETE

THIS DRAWING IS A CONTROLLED DOCUMENT.

DIMENSIONS: mm [INCHES]

TOLERANCES UNLESS OTHERWISE SPECIFIED:

0. PLC	±	-
1. PLC	±	-
2. PLC	±	0.51[.02]
3. PLC	±	0.12[.005]
4. PLC	±	0.012[.0005]
ANGLES		

MATERIAL: SEE TABLE

FINISH: SEE TABLE

APPROVED: T. HOFFMAN 12/6/95

CHK: G. DUBNICZKI 2/1/96

APPROVED: G. DUBNICZKI 2/1/96

NAME: HEADER ASSEMBLY, MOD II, BREAKAWAY, SINGLE ROW, HIGH TEMPERATURE, VERTICAL WITH RETENTION FEATURE, W/.025 SQ. POSTS, .100 C/L

APPLICATION SPEC: -

SIZE: A1

WEIGHT: -

CAGE CODE: 00779

DRAWING NO: 146291

RESTRICTED TO: -

CUSTOMER DRAWING

SCALE: 4:1

SHEET 1 OF 2

REV J

LOC		DIST		REVISIONS			
P	LTR	DESCRIPTION	DATE	DWN	APVD		
-	-	SEE SHEET 1	-	-	-		

7	101.19 [3.984]	99.06 [3.900]	39	40	9-146291-0		
7	98.65 [3.884]	96.52 [3.800]	38	39	8-146291-9		
7	96.11 [3.784]	93.98 [3.700]	37	38	8-146291-8		
7	93.57 [3.684]	91.44 [3.600]	36	37	8-146291-7		
7	91.03 [3.584]	88.90 [3.500]	35	36	8-146291-6		
7	88.49 [3.484]	86.36 [3.400]	34	35	8-146291-5		
7	85.95 [3.384]	83.82 [3.300]	33	34	8-146291-4		
7	83.41 [3.284]	81.28 [3.200]	32	33	8-146291-3		
7	80.87 [3.184]	78.74 [3.100]	31	32	8-146291-2		
7	78.33 [3.084]	76.20 [3.000]	30	31	8-146291-1		
7	75.79 [2.984]	73.66 [2.900]	29	30	8-146291-0		
7	73.25 [2.884]	71.12 [2.800]	28	29	7-146291-9		
7	70.71 [2.784]	68.58 [2.700]	27	28	7-146291-8		
7	68.17 [2.684]	66.04 [2.600]	26	27	7-146291-7		
7	65.63 [2.584]	63.5 [2.500]	25	26	7-146291-6		
7	63.09 [2.484]	60.96 [2.400]	24	25	7-146291-5		
7	60.55 [2.384]	58.42 [2.300]	23	24	7-146291-4		
7	58.01 [2.284]	55.88 [2.200]	22	23	7-146291-3		
7	55.47 [2.184]	53.34 [2.100]	21	22	7-146291-2		
7	52.93 [2.084]	50.80 [2.000]	20	21	7-146291-1		
7	50.39 [1.984]	48.26 [1.900]	19	20	7-146291-0		
7	47.85 [1.884]	45.72 [1.800]	18	19	6-146291-9		
7	45.31 [1.784]	43.18 [1.700]	17	18	6-146291-8		
7	42.77 [1.684]	40.64 [1.600]	16	17	6-146291-7		
7	40.23 [1.584]	38.10 [1.500]	15	16	6-146291-6		
7	37.69 [1.484]	35.56 [1.400]	14	15	6-146291-5		
7	35.15 [1.384]	33.02 [1.300]	13	14	6-146291-4		
7	32.61 [1.284]	30.48 [1.200]	12	13	6-146291-3		
7	30.07 [1.184]	27.94 [1.100]	11	12	6-146291-2		
7	27.53 [1.084]	25.40 [1.000]	10	11	6-146291-1		
7	24.99 [.984]	22.86 [.900]	9	10	6-146291-0		
7	22.45 [.884]	20.32 [.800]	8	9	5-146291-9		
7	19.91 [.784]	17.78 [.700]	7	8	5-146291-8		
7	17.37 [.684]	15.24 [.600]	6	7	5-146291-7		
7	14.83 [.584]	12.70 [.500]	5	6	5-146291-6		
7	12.29 [.484]	10.16 [.400]	4	5	5-146291-5		
7	9.75 [.384]	7.62 [.300]	3	4	5-146291-4		
7	7.21 [.284]	5.08 [.200]	2	3	5-146291-3		
PLATING			C	B	A	NO OF POSITIONS	PART NUMBER

OBSOLETE

THIS DRAWING IS A CONTROLLED DOCUMENT.

DIMENSIONS: mm [INCHES]	TOLERANCES UNLESS OTHERWISE SPECIFIED: 0. PLC ± .01 1. PLC ± .02 2. PLC ± .03 3. PLC ± .04 4. PLC ± .05 ANGLES ± .5°	DIN T. HOFFMAN 12/6/95 CHK G. DUBNICZKI 2/1/96 APVD G. DUBNICZKI 2/1/96	NAME: TE Connectivity PRODUCT SPEC: HEADER ASSEMBLY, MOD II, BREAKAWAY, SINGLE ROW, HIGH TEMPERATURE, VERTICAL WITH RETENTION FEATURE, W/.025 SQ. POSTS, .100 C/L
MATERIAL FINISH: SEE TABLE	WEIGHT: -	SIZE: A1	RESTRICTED TO: -
CUSTOMER DRAWING		SCALE: 4:1	SHEET 2 OF 2