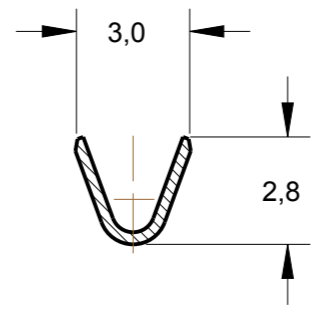
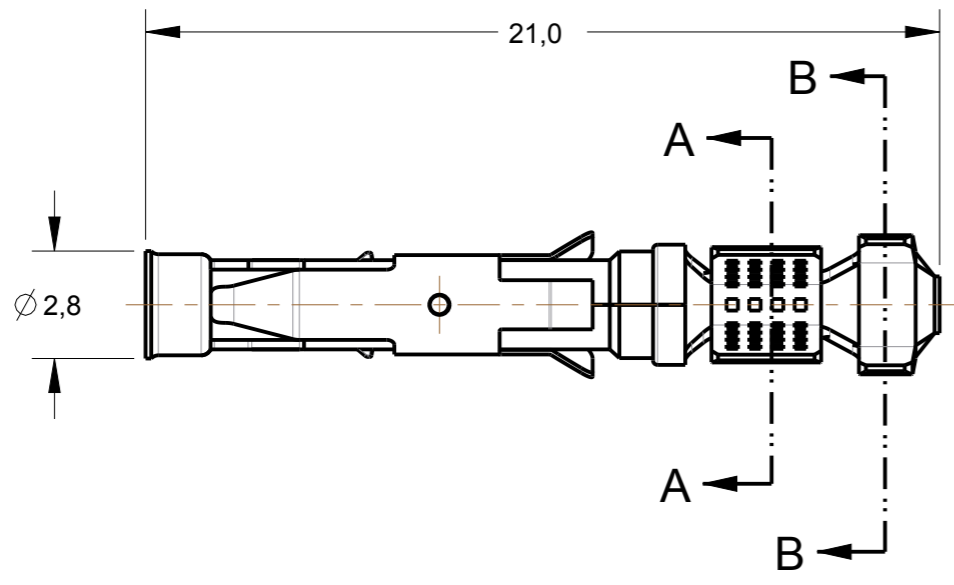


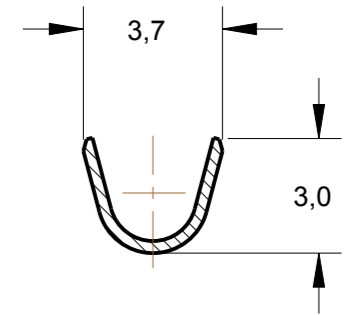
THIS DRAWING IS UNPUBLISHED. RELEASED FOR PUBLICATION 20  
 © COPYRIGHT20 BY - ALL RIGHTS RESERVED.

**creo**  
 Creo Parametric 3.0  
 DO NOT REVISE  
 EXCEPT BY CAD

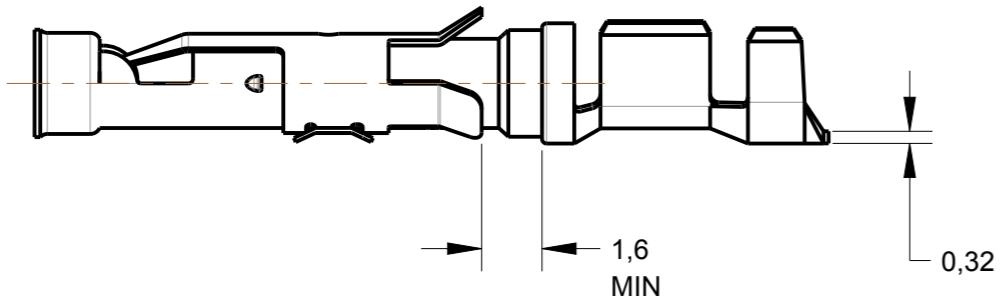
REVISIONS					
P	LTR	DESCRIPTION	DATE	DWN	APVD
	A1	REVISED DRAWING ECO-17-007396	23MAY2017	NCL	DAO



SECTION A-A  
SCALE 5:1

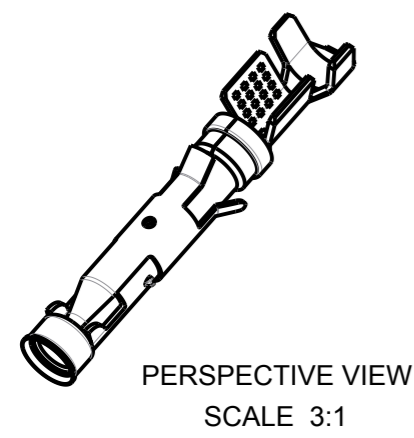


SECTION B-B  
SCALE 5:1



1- MESMO QUE 163084, EXCETO PELA EXISTÊNCIA DA IDENTIFICAÇÃO DE CORES.  
 - SAME AS 163084, BUT WITHOUT COLOUR IDENTIFICATION.

<b>OBSOLETE</b>	<del>OURO SEL. / SEL.GOLD</del>	<del>LATÃO / BRASS</del>	<del>881460-2</del>
	ESTANHADO / TIN	LATÃO / BRASS	881460-1
	<b>FINISH</b>	<b>MATERIAL</b>	<b>PART NUMBER</b>



PERSPECTIVE VIEW  
SCALE 3:1

INS.DIA.RANGE	WIRE RANGE
2,0-2,5 mm	0,75-1,50mm <sup>2</sup>

THIS DRAWING IS A CONTROLLED DOCUMENT.		DWN 23MAY2017 NCLAPRESA	TE Connectivity	
DIMENSIONS: mm		CHK 23MAY2017 ELOPES		
TOLERANCES UNLESS OTHERWISE SPECIFIED:		APVD 23MAY2017 DAOLIVEIRA	NAME SOCKET TYPE III CONTACT SIZE 16	
0 PLC ±-		PRODUCT SPEC	-	
1 PLC ±0,3		APPLICATION SPEC	-	
2 PLC ±-		WEIGHT	-	
3 PLC ±-		CUSTOMER DRAWING	-	
4 PLC ±-		SCALE 4:1	-	
ANGLES ±1°		SHEET 1 OF 1	-	
MATERIAL SEE TABLE	FINISH SEE TABLE	SIZE A3	CAGE CODE -	DRAWING NO. C-881460
-	-	RESTRICTED TO	-	
		REV A1		