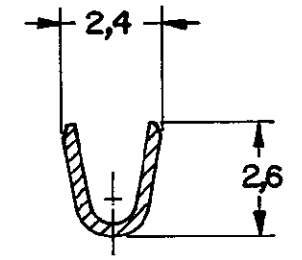
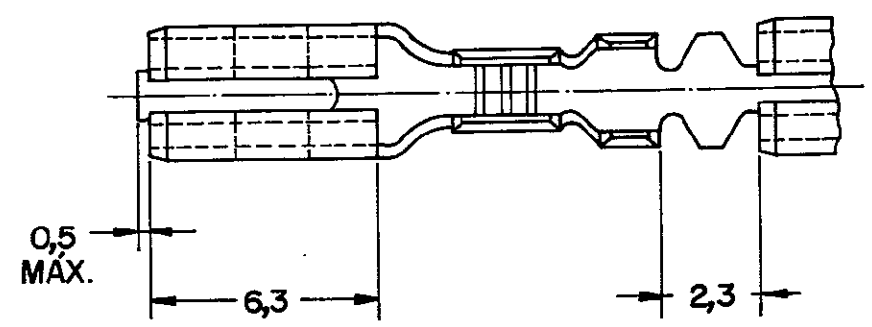
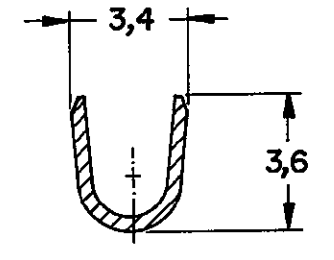


C 881799 1 of 1

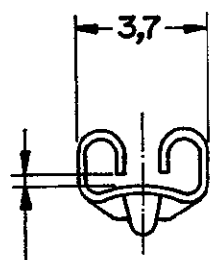
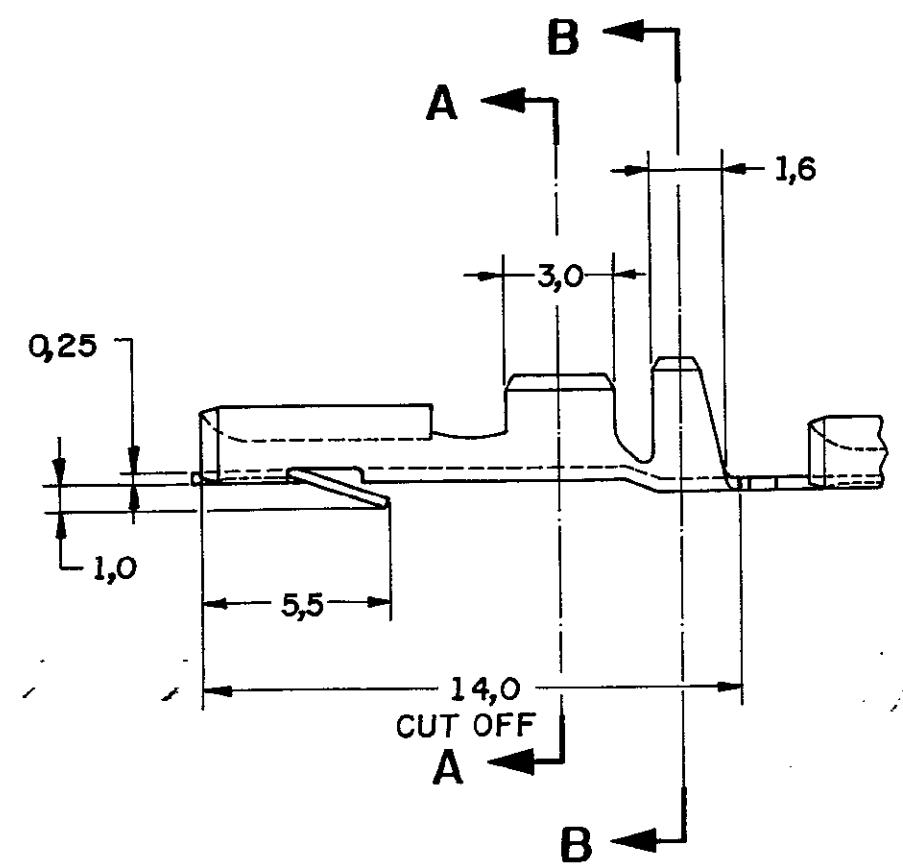
DWG NO. 881799		DO NOT SCALE		METRIC		3rd ANGLE PROJECTION	
		DIMENSIONS IN mm.					
REQ. PER ASSY	ITEM	DESCRIPTION	MATERIAL	FINISH			



CORTE A-A
SECTION



CORTE B-B
SECTION



PARA TAB. 0,8
ESPESSURA
FOR 0,8 TAB.

1 OBSOLETE PARTS: OBSOLETE CIS STREAMLINING PER D.RENAUD/D.SINISI

(C1)	PRÉ ESTANHADO/ PRE TINNED		1	-4
		(C1)	BRONZE FOSF. / PH. BRONZE	-3
		(C1)	PRÉ ESTANHADO/ PRE TINNED	-2
		(C1)	LATÃO / BRASS	881 799 -1
	FINISH		MATERIAL	PART NUMBER

CUSTOMER DWG for REFERENCE ONLY				THIS DRAWING IS UNPUBLISHED RELEASED FOR PUBLICATION 19			
				© COPYRIGHT 19 BY AMP DO BRASIL LTDA S.P. ALL INTERNATIONAL RIGHTS RESERVED AMP PRODUCTS MAY BE COVERED BY U.S. AND FOREIGN PATENTS AND/OR PATENTS PENDING.			
TOLERANCES UNLESS OTHERWISE STATED				INS. DIA RANGE	WIRE RANGE	SCALE	
DEC. ± 0,3				1,40 - 2,30mm	0,5 - 1,0 mm ²		
ANGLES ± 1°				AMP AMP do BRASIL LTDA. São Paulo, Brasil			
DR. N. C. LAPRESA 07 - AUG - 95				DESCRIPTION RECEPTACLE .110 SERIES FASTIN-FASTON			
CHK. 10 - AUG - 95 J.R. FOLDSCHMIDT				DWG NO. C 881799			
C2	REVISED PER ECO-09-026444	KK	AEG	01DEC09	SHEET 1 OF 1		
C1	REVISED BY	023-98	DAR	01-FEB-98			
C	REDRAWN WITH CHANGE	351-95	NCL	10 AUG 95			
ISS	REVISION	RECORD	ECN	DR	DATE	APP.	
				CHK			