
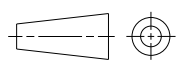


REVISIONS					
P	LTR	DESCRIPTION	DATE	DWN	APVD
	A2	REVISED PER ECR-20-008867	02JUL2020	BH	E.W

PRETINNED	CuSn4	0-928923-5	
SEL. SILVER PLATED	CuSn4	0-928923-4	OBSOLETE
PLAIN	CuSn4	0-928923-3	OBSOLETE
SEL. GOLD PLATED	CuSn4	0-928923-2	OBSOLETE
PRETINNED	CuZn30	0-928923-1	
FINISH	MATERIAL	PART NO	

REFER TO PRODUCT GROUP DRAWING
1670467
FOR LATEST INFORMATION ON THE PART.

© 2020 TE Connectivity. All Rights Reserved.

DIMENSIONS: mm TOLERANCES UNLESS OTHERWISE SPECIFIED: 0 PLC ± - 1 PLC ± - 2 PLC ± - 3 PLC ± - 4 PLC ± - ANGLES ± -	DWN T. Konecny 21AUG2006	MATERIAL -	FINISH -
	CHK P.Hasek 60CT2006		
APVD R.Vlcek 90CT2006	NAME TAB 2.8x0.8mm FASTIN-FASTON		
	PRODUCT SPEC 108-18299	SIZE A 4	CAGE CODE 00779
	APPLICATION SPEC 114-18014	DRAWING NO C-928923	RESTRICTED TO
	WEIGHT -		
		CUSTOMER DRAWING	SCALE 3:1
		SHEET 1 OF 1	REV A2