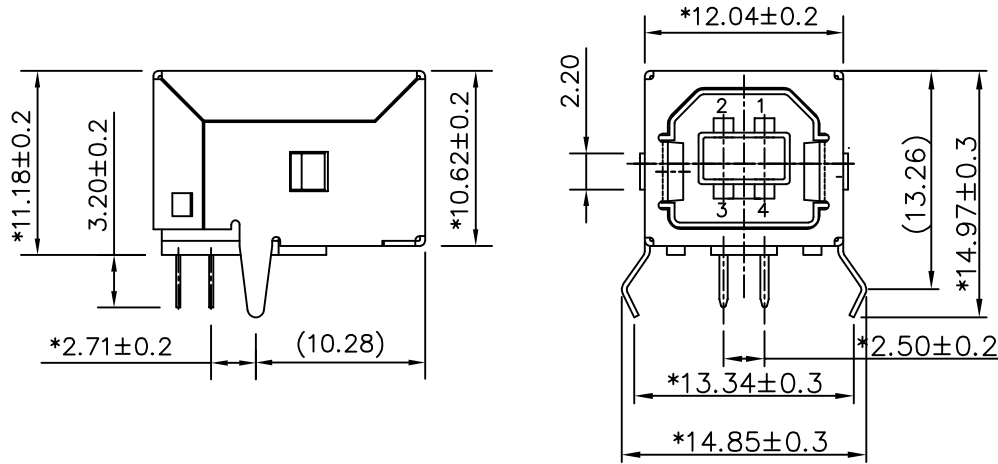


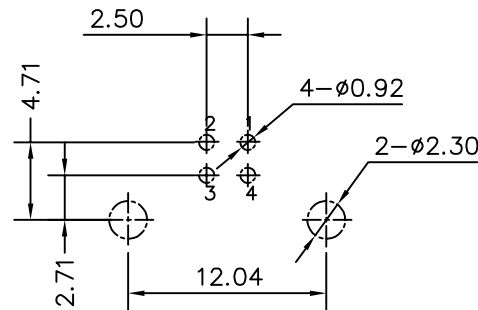
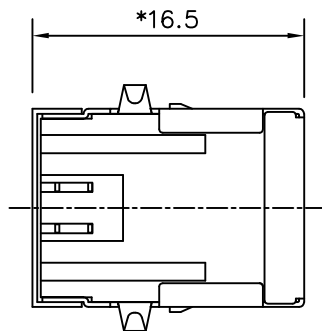
REVISION RECORD		
REV	DESCRIPTION	DRFT
11	OLD DRAWING CHECK IN	APFU 10/12/07
12	MODIFY DRAWING	Yuki 9/19/08
13	REASSIGN PIN NUMBER	Victor 27/03/12



NOTES:

- MATERIAL:  
TERMINAL-C5191 PHOSPHOR BRONZE HARD.  
SHIELD-COPPER ALLOY  
HOUSING-PBT+30% G.F. UL94V-0
  - PLATING: CONTACT-GOLD PLATING OVER NICKEL  
TERMINAL-75u" Tin MIN OVER 50u"-100u" NICKEL  $\Delta$   
SHIELD-120u" TIN MIN OVER 50u" NICKEL.  
OR 100u"~120u" NICKEL OVER 40u" Cu.
  - GAP. 0.25mm (Max.)
  - ELECTRICAL:  
VOLTAGE RATING : 30 VAC RMS.  
CURRENT RATING : 1.0 AMP  
CONTACT RESISTANCE : 30 MILLIOHMS MAX  
INSULATION RESISTANCE : 1000 MEGOHMS MIN @500 VDC  
DIELECTRIC STRENGTH : 750 VAC RMS 60 HZ, 1 MIN  
OPERATING LIFE : 1500 CYCLES MIN  
MATING FORCE : 3.5 KGS MAX  
UNMATING FORCE : 1 KGS MIN
  - ENVIRONMENTAL:  
STORAGE : -40°C TO +85°C  
OPERATION : -40°C TO +85°C  
CAPACITANCE : 2 PF MAX 1KHZ  
WAVE SOLDER TEMPERATURE: 230-250°C.(3-5 SECONDS)  
RoHS COMPLIANT
  - UL & CUL FILE NO. E163191
- OLD DRAWING NUMBER:GE813A02-LC

ROHS P/N	REV	MATERIAL	SHIELD PLATING	PLATING
E8144-B01321-L	A	PBT WHITE	PLATING NICKEL	Au3u"



USB-PCB LAYOUT

MM (INCH)		DFTO SAMMY	DATE 03/14/05		RoHS Compliant
TOLERANCES EXCEPT AS NOTED		CHKD ALICE	DATE 3/29/2012		
MM	±	APPLV.TIM	DATE 3/29/2012	TITLE	
.0 ± 0.20	±	MATERIAL :		USB Series B	
.00 ± 0.15	±	ANGLES ± 0.5°		4-Position Dip Type	
.000 ± 0.075	±	THIRD ANGLE PROJECTION		DRAWING NO. E8144-B0XX2X-L2	
FINISH :		QTY :		/PART NO. E8144-B0XX2X-L2	
SCALE : 3:1		DO NOT SCALE DRAWING		SIZE A3	REV 13
				SHEET 1	OF 1