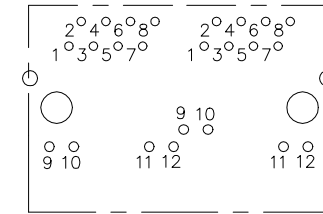
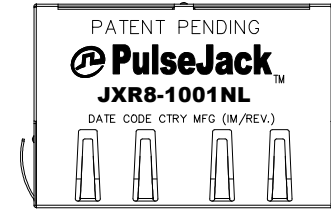


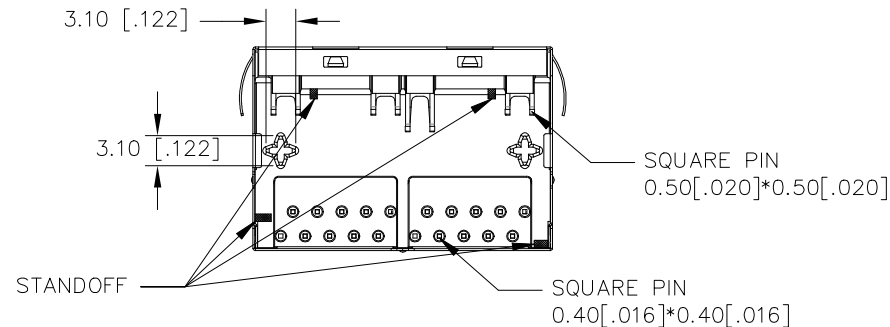
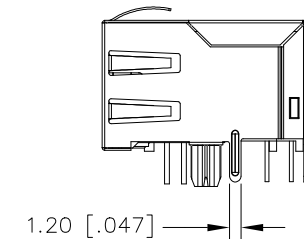
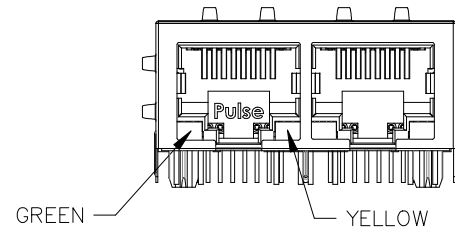


NOTES:

1. ROHS COMPLIANT
2. PLASTIC HOUSING: THERMOPLASTIC MATERIAL WITH FLAMMABILITY RATING UL 94V-0 OR BETTER.
3. CONTACTS PLATING: 15 μINCHES GOLD PLATING.
4. CONTACTS BASE MATERIAL: PHOSPHOR BRONZE
5. UNDER PLATING: 30-50 μINCHES NICKEL
6. SOLDER TAIL PLATING : 150-300 μINCHES 100% TIN, MATTE FINISH.
7. METAL SHIELD: NICKEL PLATING ON COPPER ALLOY.
8. JACK CAVITY CONFORMS TO FCC PART 68 SUBPART.
9. PCB PLATING: HASL
10. STORAGE TEMPERATURE: -50°C TO +125°C
11. COMPLIANCE TO J-STD:
  - A. J-STD-002: SOLDERABILITY AT 245°C DIP AND LOOK TEST
  - B. J-STD-020: LEVEL 1, NO MOISTURE SENSITIVE
  - C. J-STD-075: W2, 270°C MAXIMUM THROUGH WAVE SOLDER
  - D. J-STD-075: R7, 245°C MAXIMUM THROUGH REFLOW SOLDER



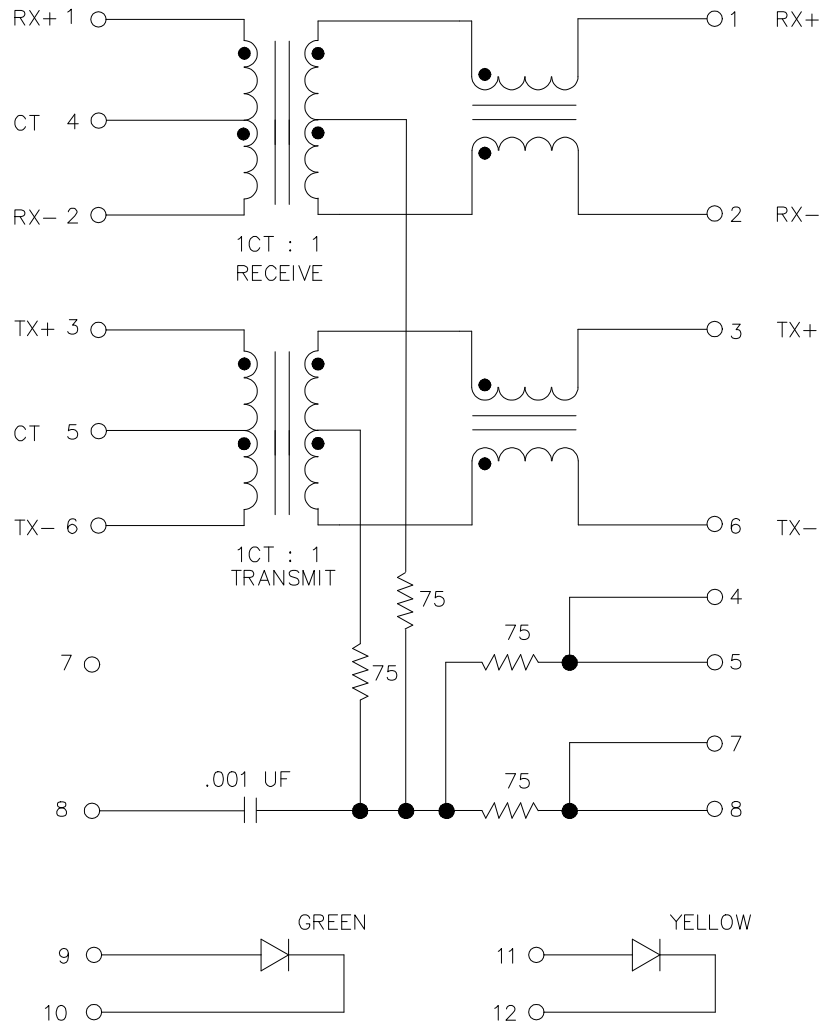
COMPONENT SIDE SHOWN



FINAL OUTLINE

© Copyright, 2018. Pulse Electronics Corp. All rights reserved. Pulse confidential & proprietary. (11/30/18)

PRODUCT DESCRIPTION	TLA DRAWING	PS DRAWING	SHEET	PART NO.	DATASHEET REV.
CONN,RJ45,1X2,100D,1:1,TY	JXR8-1001NL-10	PS-01590.001-C	1 OF 5	JXR8-1001NL	C



SCHMATIC

ELECTRICAL CHARACTERISTICS AT +25°C UNLESS OTHER SPECIFIED  
MEETS IEEE 802.3 SPECIFICATION

PARAMETER	SPECIFICATIONS		
OPERATING TEMP	-40°C TO +85°C		
URNS RATIO	1.00 ± 2%		
POLARITY	PER SCHEMATIC		
INSERTION LOSS	100 KHz	1-125 MHz	
	-1.2 dB MAX	-0.2-0.002*f <sup>1.4</sup> dB MAX	
RETURN LOSS (Z OUT = 100 OHM ±15%)	.1-30 MHz	30-60 MHz	60-80 MHz
	-16 dB MIN	-10+20*LOG <sub>10</sub> (f/60 MHz) dB MIN	-10 dB MIN
INDUCTANCE (OCL) (MEDIA SIDE, 0°C-70°C)	350 uH MIN (MEASURED AT 100 KHz, 100 mVRMS AND WITH 8 mA DC BIAS)		
CROSSTALK, ADJACENT CHANNELS	1 MHz	10-100 MHz	
	-50 dB MIN	-55+22*LOG <sub>10</sub> (f/10) dB MIN	
COMMON MODE REJECTION RATIO	2 MHz	30-200 MHz	
	-50 dB MIN	-15+20*LOG <sub>10</sub> (f/200) dB MIN	
DC RESISTANCE, 1/2 WINDING	.65 OHMS MAX		
DC RESISTANCE IMBALANCE	±.065 OHMS MAX (CENTER TAP SYMMETRY)		
INPUT - OUTPUT ISOLATION	1500 VRMS MIN @ 60 SECONDS		

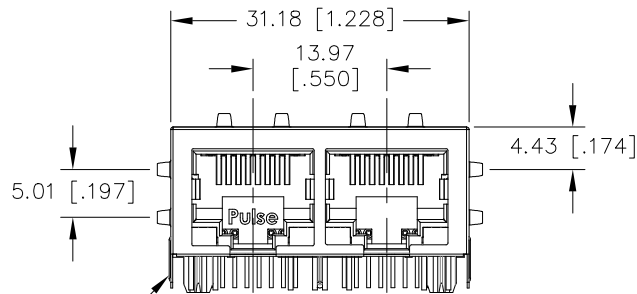
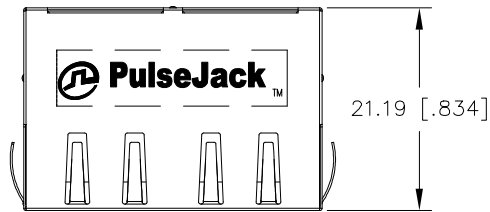
NOTE: f IS FREQUENCY IN MHZ.

EMMITTED COLOR	GREEN	YELLOW
WAVELENGTH (nm)	568 nm	585 nm
BRIGHTNESS (mCD)	8 TO 12 TYP. @ 20mA	8 TO 12 TYP. @ 20mA
VIEWING ANGLE	100°	100°
POWER DISSIPATION (Pd)	100 mW MAX	100 mW MAX
DC FORWARD CURRENT	150 mA MAX	150 mA MAX
REVERSE VOLTAGE (Vr)	5.0 V MAX	5.0 V MAX

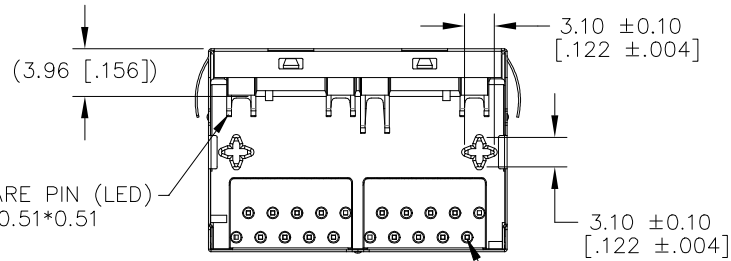
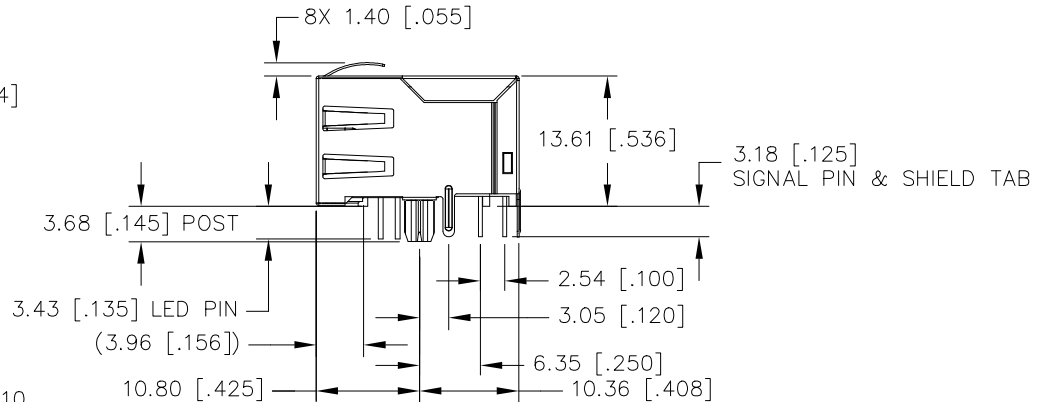
NOTE: PER VENDOR'S SPECIFICATIONS

© Copyright, 2018. Pulse Electronics Corp. All rights reserved. Pulse confidential & proprietary. (11/30/18)

PRODUCT DESCRIPTION	TLA DRAWING	PS DRAWING	SHEET	PART NO.	DATASHEET REV.
CONN,RJ45,1X2,100D,1:1,TY	JXR8-1001NL-10	PS-01590.001-C	2 OF 5	JXR8-1001NL	C



0.20 [.008] THICKNESS  
WITH RIB 0.10 [.004]  
PER SOLDER

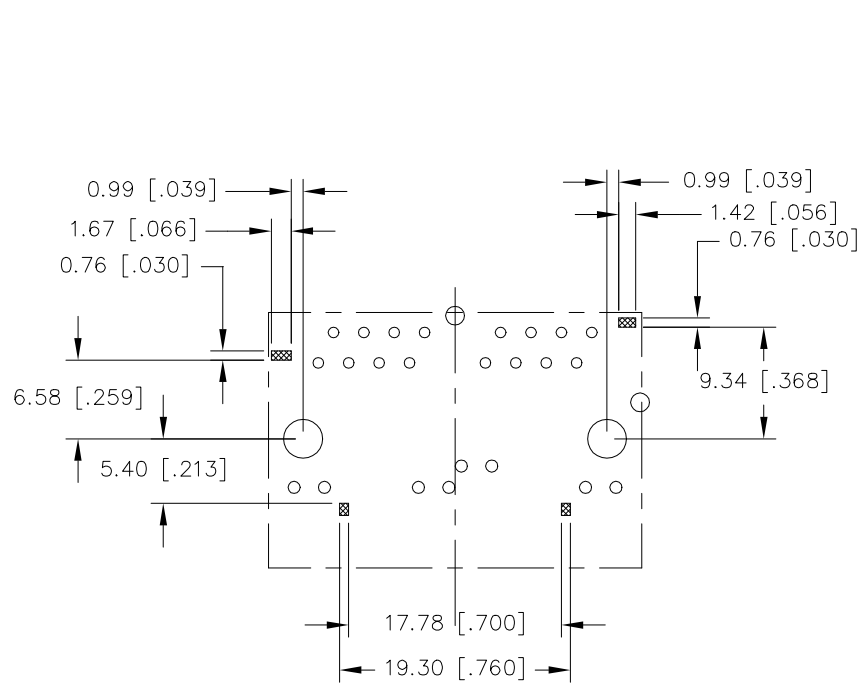


ALL DIMENSION ARE SHOWN IN MILLIMETERS.  
DIMENSIONS SHOWN IN BRACKETS ARE  
INCHES. UNLESS OTHERWISE SPECIFIED,  
THE FOLLOWING TOLERANCES APPLY:

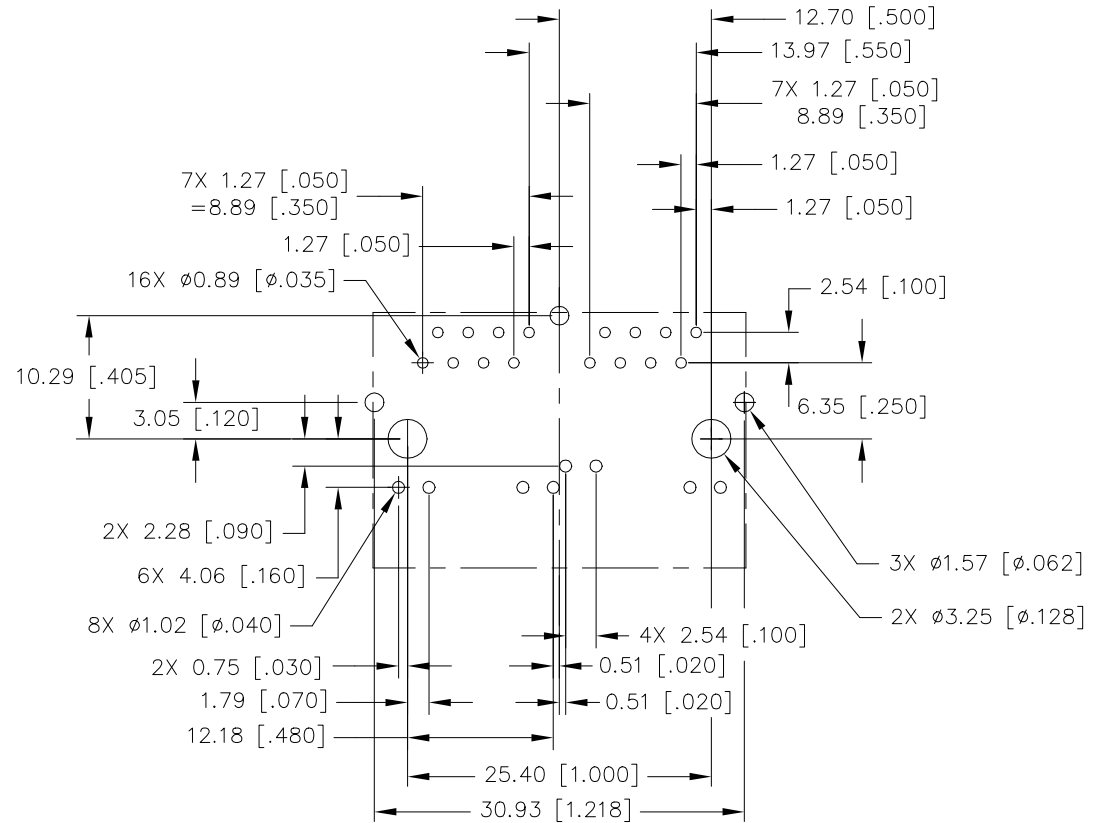
X.XX [.XXX] = ±0.25 [±.010]

© Copyright, 2018. Pulse Electronics Corp. All rights reserved. Pulse confidential & proprietary. (11/30/18)

PRODUCT DESCRIPTION	TLA DRAWING	PS DRAWING	SHEET	PART NO.	DATASHEET REV.
CONN,RJ45,1X2,100D,1:1,TY	JXR8-1001NL-10	PS-01590.001-C	3 OF 5	JXR8-1001NL	C



STAND OFF AREA (COMPONENT SIDE SHOWN)



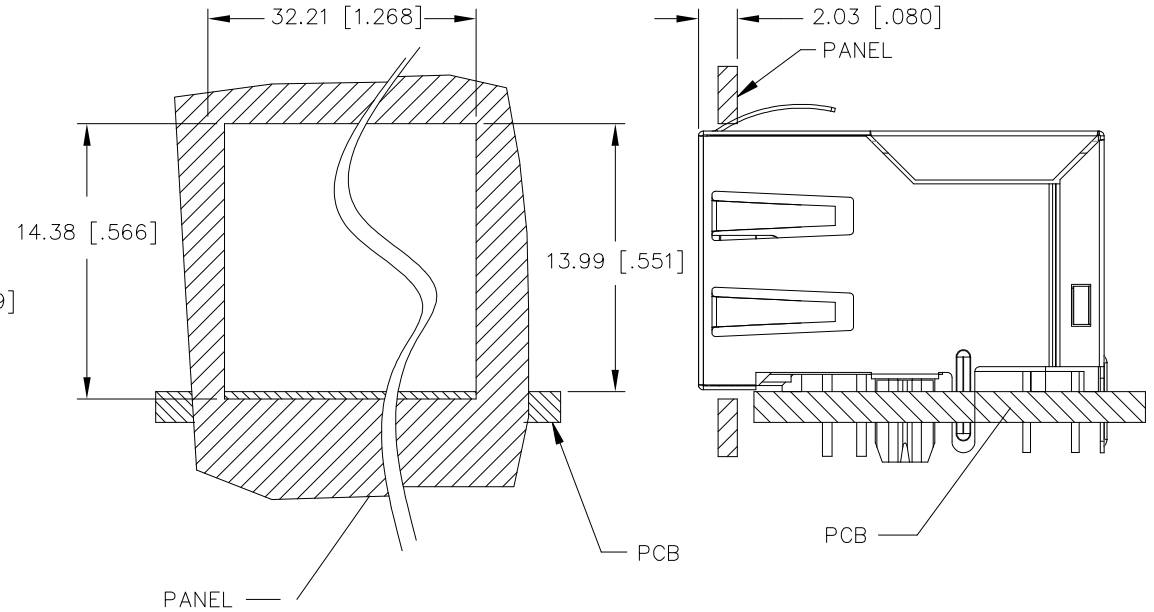
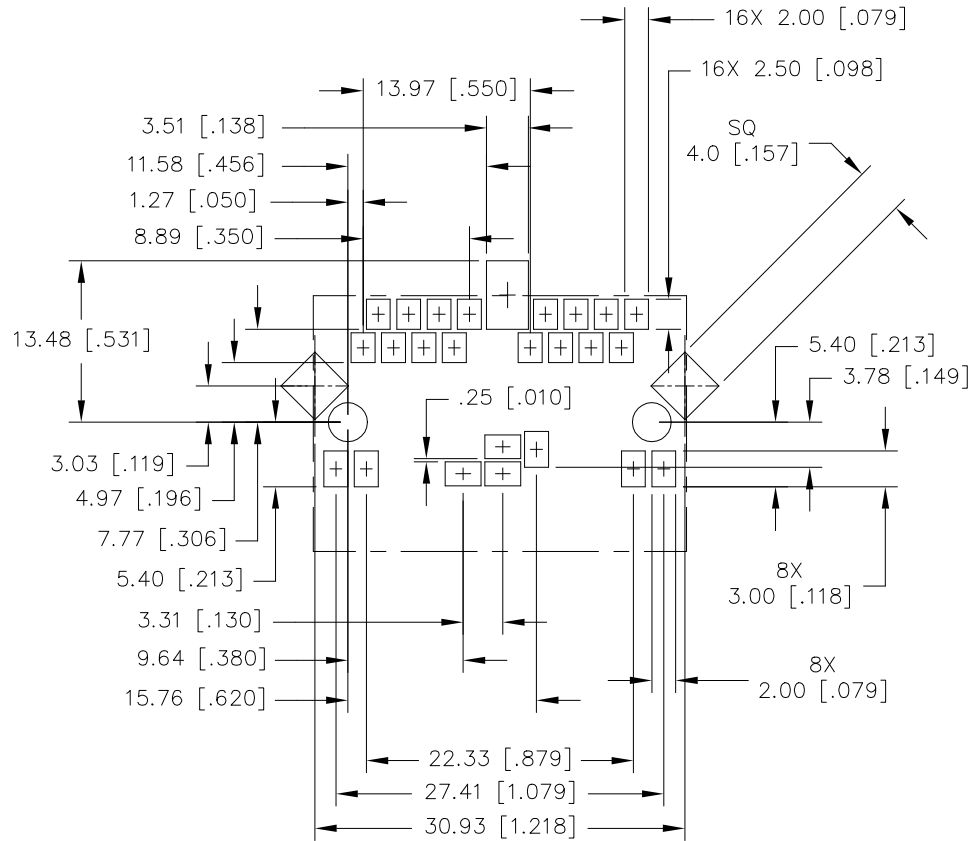
SUGGESTED FOOTPRINT (COMPONENT SIDE SHOWN)

ALL DIMENSION ARE SHOWN IN MILLIMETERS.  
DIMENSIONS SHOWN IN BRACKETS ARE  
INCHES. UNLESS OTHERWISE SPECIFIED,  
THE FOLLOWING TOLERANCES APPLY:

X.XX [.XXX] =  $\pm$ 0.08 [ $\pm$ .003]

© Copyright, 2018. Pulse Electronics Corp. All rights reserved. Pulse confidential & proprietary. (11/30/18)

PRODUCT DESCRIPTION	TLA DRAWING	PS DRAWING	SHEET	PART NO.	DATASHEET REV.
CONN,RJ45,1X2,100D,1:1,TY	JXR8-1001NL-10	PS-01590.001-C	4 OF 5	JXR8-1001NL	C



SUGGESTED PANEL CUTOUT

RECOMMENDED STENCIL DESIGN WITH THICKNESS 0.20MM  
BASE ON 1.60MM THICKNESS PCB  
(COMPONENT SIDE SHOWN)

X.XX [.XXX] = ±0.10 [±.004]

© Copyright, 2018. Pulse Electronics Corp. All rights reserved. Pulse confidential & proprietary. (11/30/18)

PRODUCT DESCRIPTION	TLA DRAWING	PS DRAWING	SHEET	PART NO.	DATASHEET REV.
CONN,RJ45,1X2,100D,1:1,TY	JXR8-1001NL-10	PS-01590.001-C	5 OF 5	JXR8-1001NL	C