

ABC60 Series

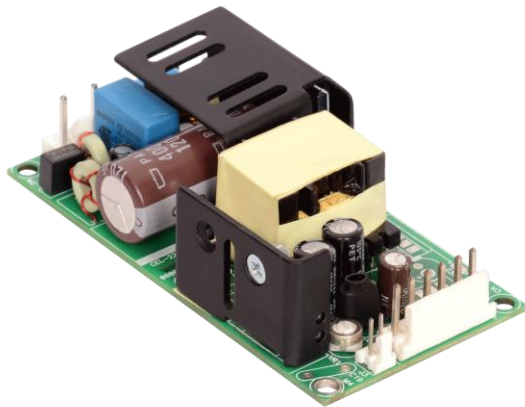
AC-DC Open Frame Power Supplies

Not For New Design
Please refer to exact equivalent product series
WLT60

The ABC60 Series of AC-DC open-frame power supplies, with its wide universal 90-264 VAC input range and high power density, is available at 60 W of output power and a variety of single and multiple output voltages.

The high efficiency and high power density of the ABC family ensures minimal power loss in end-use equipment, thereby facilitating higher reliability, easier thermal management and meets regulatory approvals for environmentally-friendly end products.

These power supplies are ideal for telecom, datacom, industrial equipment and other applications.



Key Features & Benefits

- 4 x 2 x 1.2 Inch Form Factor (101.6 x 50.8 x 30.48 mm)
- 50 - 65 W Convection Cooled
- Single to Triple Outputs
- High Efficiency > 85%
- No Load Power < 0.3 W
- IEC Protection Class Options:
 - Class I: Earth pin J4 (no suffix)
 - Class II: No Earth pin (-2 suffix)
- Conducted EMI EN 55022-B, FCC Part 15 Level B
- IEC / EN / UL 62368-1 Compliant
- RoHS Compliant
- Cover Kit Accessory Available

Applications

- Instrumentation
- Lighting
- Industrial Applications
- Applied Computing
- Renewable Energy
- Test and Measurement
- Robotics
- Wireless Communication



bel POWER
SOLUTIONS &
PROTECTION

a bel group

belfuse.com/power-solutions

1. MODEL SELECTION

MODEL ¹	VOLTAGE	MAX LOAD ²	MIN LOAD ³	RIPPLE ⁴	POWER
ABC60-1005G	5.0 V	10.0 A	0.0 A	1.5%	50 W
ABC60-1012G	12 V	5.42 A	0.0 A	1%	65 W
ABC60-1015G	15 V	4.33 A	0.0 A	1%	65 W
ABC60-1024G	24 V	2.71 A	0.0 A	1%	65 W
ABC60-1048G	48 V	1.35 A	0.0 A	1%	65 W
ABC60-3000G	V ₁ = 5.2 V	8.0 A	0.5 A	1.5%	60 W
	V ₂ = 12.5 V	3.0 A	0.1 A	1%	
	V ₃ = -12.8 V	0.5 A	0.0 A	1%	
ABC60-3001G	V ₁ = 5.2 V	8.0 A	0.5 A	1.5%	60 W
	V ₂ = 24 V	1.5 A	0.1 A	1%	
	V ₃ = -12.8 V	0.5 A	0.0 A	1%	
ABC60-3002G	V ₁ = 5.2 V	8.0 A	0.5 A	1.5%	60 W
	V ₂ = 15 V	2.5 A	0.1 A	1%	
	V ₃ = -15 V	0.5 A	0.0 A	1%	
ABC60-3003G	V ₁ = 3.3 V	6.0 A	1.0 A	1.5%	45 W
	V ₂ = 5 V	3.0 A	0.1 A	1%	
	V ₃ = -12.8 V	0.5 A	0.0 A	1%	
COVER-60-XBC ⁵	Metal cover kit accessory				

¹ Class II version available. Add suffix "-2" at the end of the Model Number

² Maximum current per output channel. Do not exceed total output power rating.

³ Min Load specified to meet cross regulation.

⁴ Ripple is peak to peak with 20 MHz bandwidth and 10 μ F (Electrolytic capacitor) in parallel with a 0.1 μ F capacitor at rated line voltage and load ranges.

⁵ When used in Cover Kit, de-rate output power to 70 % under all operating conditions.

2. INPUT SPECIFICATIONS

Specifications are for nominal input voltage, 25°C unless otherwise stated.

PARAMETER	DESCRIPTION / CONDITION	SPECIFICATION
Input Voltage	Universal	90 - 264 VAC
Input Frequency ⁶		47 to 400 Hz
Input Current	120 VAC:	1.5 A max.
	230 VAC:	0.75 A max.
No Load Power	Single output models	< 0.3 W
	Multi output models	< 0.5 W
Inrush Current	120 VAC:	30 A max.
	230 VAC:	60 A max.
Leakage Current	120 VAC:	< 500 μ A
	230 VAC:	< 1000 μ A
Switching Frequency	Typical	67 kHz

⁶ Safety approved: 47 to 63 Hz

3. OUTPUT SPECIFICATIONS

PARAMETER	DESCRIPTION / CONDITION	SPECIFICATION
Efficiency ⁷	Typical	85%
Hold Up Time	@ 120 VAC typical	>10 ms
Output Power ⁸		50 - 65 W
Line Regulation		± 0.3%
Load Regulation	V1: V2 & V3:	± 0.5% ± 5%
Transient Response	50% to 100% load change, 50/60 Hz, 50% duty cycle, 0.1 A/μs	< 10%, recovery time < 5 ms
Rise Time		< 100 ms
Set Point Tolerance	V1: V2 & V3:	± 3% ± 5%
Output Voltage Adjustment	V1	± 10%
Over Current Protection	Typical above rating	130%
Over Voltage Protection	Typical for V1 only	130%
Short Circuit Protection	Short term, autorecovery	
Cooling	Convection	

⁷ For ABC60-3003G efficiency is 75% typical

⁸ Derate output power linearly to 80% from 90 VAC to 80 VAC input.
Single output models deliver 65 W, except for ABC60-1005G (50 W).
Triple output models deliver 60 W, except for ABC60-3003G (45 W).

4. ENVIRONMENTAL SPECIFICATIONS

PARAMETER	DESCRIPTION / CONDITION	SPECIFICATION
Operating Temperature	Refer to derating curve, Fig. 1 -20 to 0°C start-up is guaranteed	-20 to 70°C
Storage Temperature		-40 to +85°C
Relative Humidity	Non Condensing	95%
Altitude	Operating: Non-Operating:	10,000 ft. 40,000 ft.
Reliability	MTBF according to Telcordia -SR332-Issue 3	1.87 million hours
Cooling	Convection	

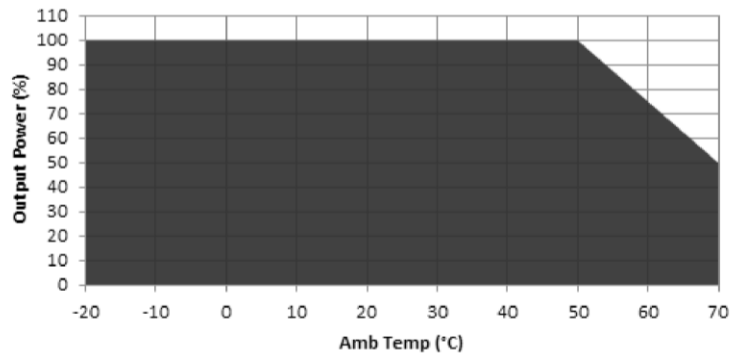


Figure 1. Derating Curve

De-rate linearly from 100% at 50°C to 50% at 70°C

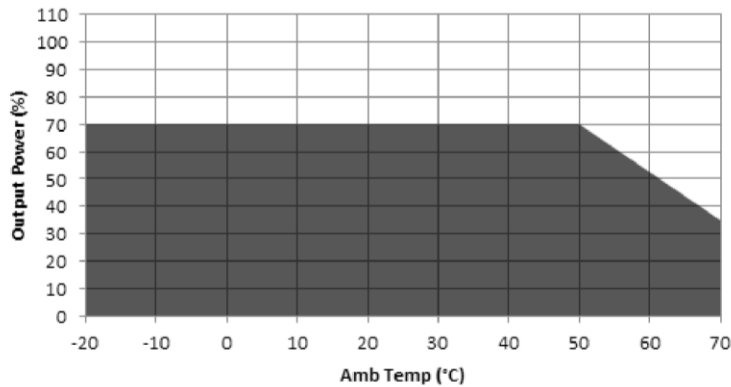


Figure 2. Derating Curve with Cover Kit

5. EMC SPECIFICATIONS

PARAMETER	DESCRIPTION / CONDITION	SPECIFICATION
Conducted Emissions	EN 55032-B, CISPR22-B, FCC PART15-B	Pass
Radiated Emissions	EN 55032 B	Pass
Input Current Harmonics	EN 61000-3-2	Class A
Voltage Fluctuation and Flicker	EN 61000-3-3	Pass
ESD Immunity	EN 61000-4-2	Level 3, Criterion A
Radiated Field Immunity	EN 61000-4-3	Level 3, Criterion A
Electrical Fast Transient Immunity	EN 61000-4-4	Level 3, Criterion A
Surge Immunity	EN 61000-4-5	Level 3, Criterion A
Conducted Immunity	EN 61000-4-6	Level 3, Criterion A
Magnetic Field Immunity	EN 61000-4-8	Level 3, Criterion A
Voltage Dips, Interruptions	EN 61000-4-11	Criterion A & B

6. SAFETY SPECIFICATIONS

PARAMETER	DESCRIPTION / CONDITION	SPECIFICATION
Isolation Voltage	Input to Output:	4000 VAC/VDC
Safety Standards	IEC 60950-1(ed.2), EN 60950-1, UL 60950-1 (2nd Edition), CSA C22.2 No. 60950-1 (2nd Edition), UL 62368-1, 2nd Ed, 2014-12-01 CAN/CSA C22.2 No. 62368-1-14, 2nd Ed, Class 1 SELV IEC 62368-1:2014, EN 62368-1:2014; A11	
Agency Approvals	Nemko, UL, C-UL	
CE mark	Complies with LVD Directive	

7. CONNECTOR & PIN DESCRIPTION

CONNECTOR	PIN	DESCRIPTION / CONDITION	MANUFACTURER / PN
AC Input Connector	J1	Pin 1	AC Line
		Pin 2	AC Neutral
DC Output Connector	J2	Pin 1,2	V1
		Pin 3,4	RTN
		Pin 5	V3
		Pin 6	V2
Signal Connector	J3	Pin 1	+V1 Sense
		Pin 2	-V1 Sense
Earth (Spade Connector)	J4		Molex: 19705-4301 Mating: 190030001

8. MECHANICAL SPECIFICATIONS

PARAMETER	DESCRIPTION / CONDITION
Weight	150 g (0.33 lbs.)
Dimensions	101.6 x 50.8 x 30.48 mm (4 x 2 x 1.2 inch)

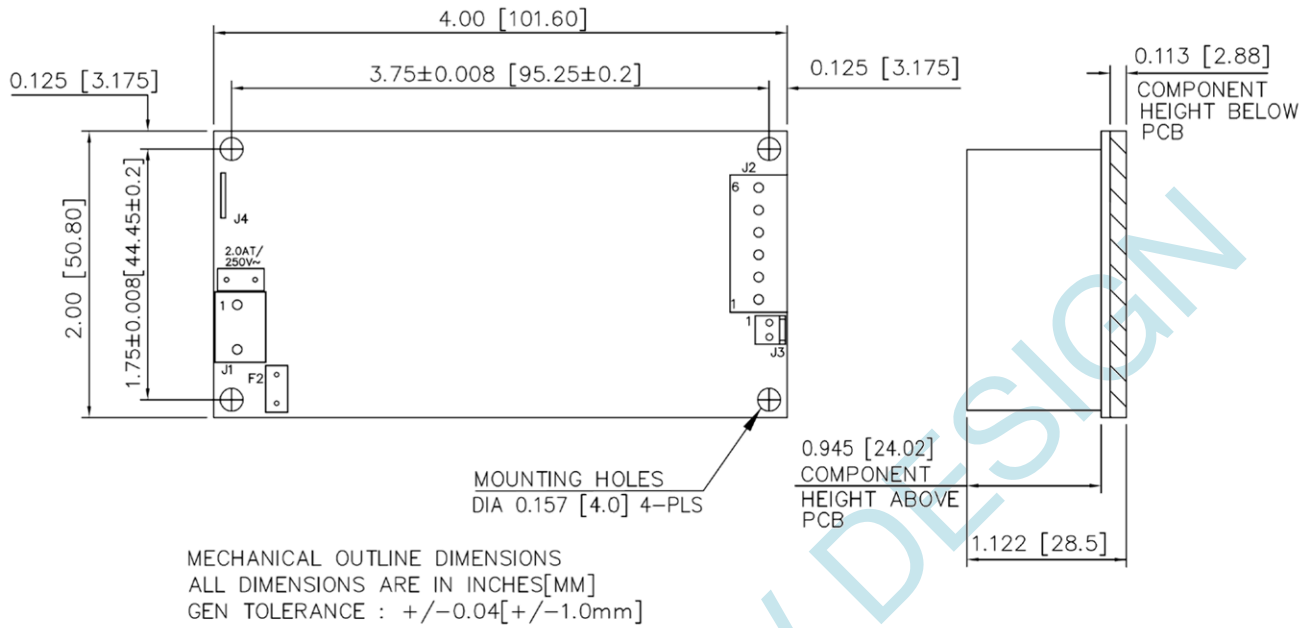


Figure 3. Mechanical Drawing ABC60-1xxxG

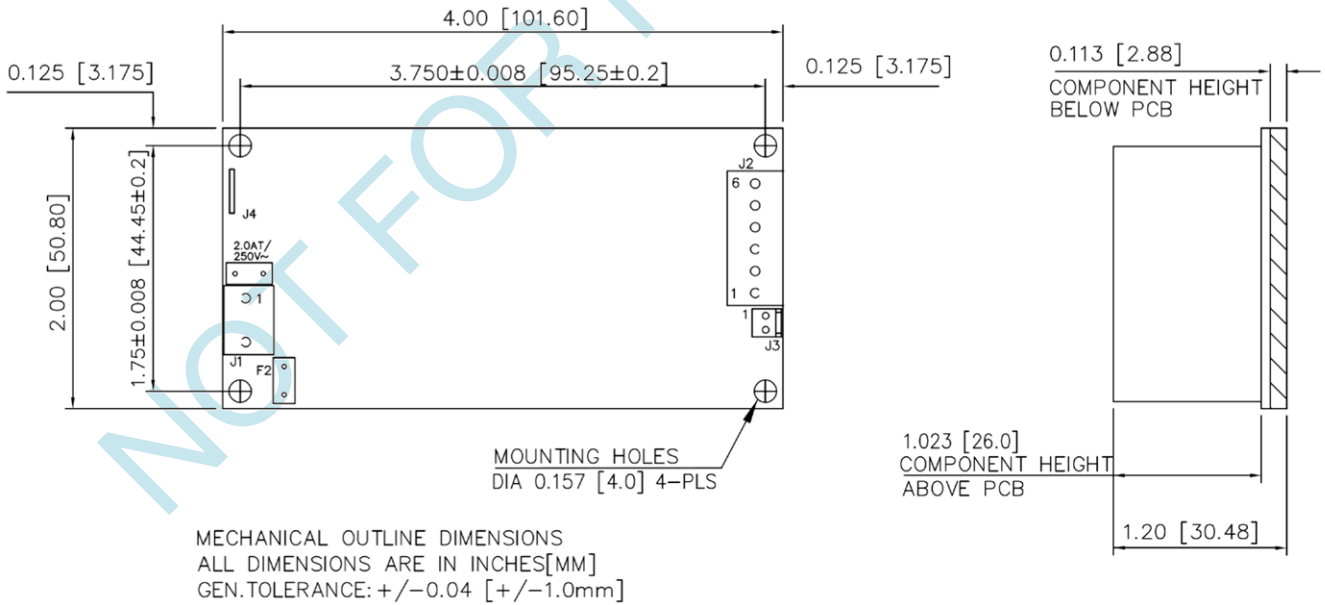
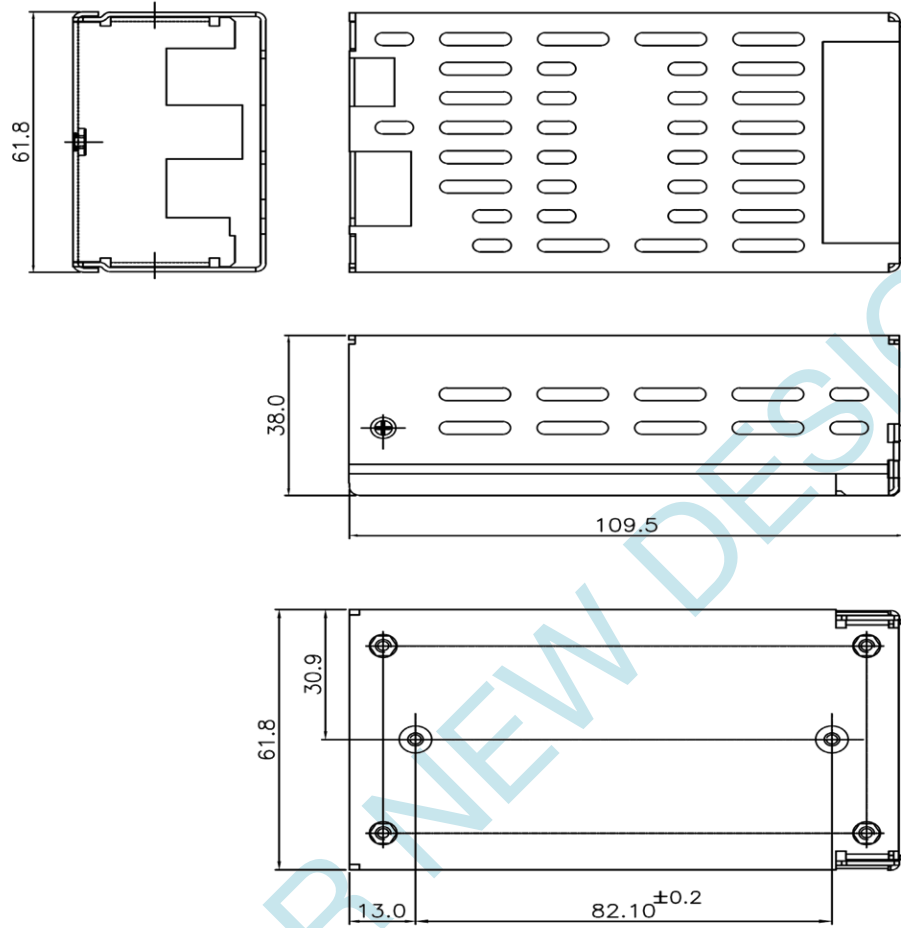


Figure 4. Mechanical Drawing ABC60-3xxxG



MECHANICAL OUTLINE DIMENSIONS
 ALL DIMENSIONS ARE MM
 GEN TOLERANCE : ± 0.5 mm

Figure 5. Mechanical Drawing wit Cover Kit

NOTES: In case the PCB is mounted in a metal enclosure, using metal hardware ensure the following:

- 1 Stand off, used to mount PCB has OD of 5.4 mm max.
- 2 Screws, used to fix PCB on stand off, have head dia of 6.0 mm max.
- 3 Washer, if used, to have dia of 6.5 mm max.

For more information on these products consult: tech.support@psbel.com

NUCLEAR AND MEDICAL APPLICATIONS - Products are not designed or intended for use as critical components in life support systems, equipment used in hazardous environments, or nuclear control systems.

TECHNICAL REVISIONS - The appearance of products, including safety agency certifications pictured on labels, may change depending on the date manufactured. Specifications are subject to change without notice.