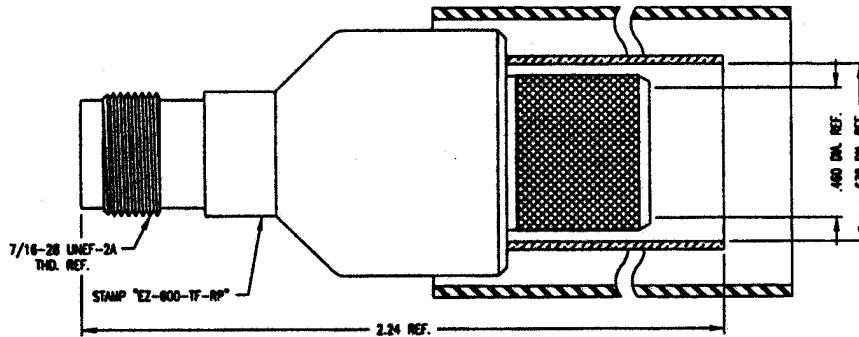


THE REVISION STATUS OF ALL SHEETS OF THIS DRAWING IS THE SAME AS SHEET 1

LTR	DESCRIPTION	DATE	BY
-	Released	6/14/99	JCL



I. MATERIALS & FINISHES

- center contact: Gold Plated Beryllium Copper –male pin
- outer contact: Alballoy Plated Brass
- body: Alballoy Plated Brass
- coupling nut: Alballoy Plated Brass
- crimp sleeve: Alballoy Plated Copper
- dielectric: Teflon® PTFE
- gasket: Silicone Rubber
- shrink sleeve: Adhesive Lined Polyolefin
- crimp size: .610" hex

II. ELECTRICAL PROPERTIES

- impedance: 50 ohms
- working voltage: 500 vrms (max)
- vswr: 1.25:1 (max) up to 3 GHz
- insertion loss: 0.1 x \sqrt{F} ghz

Unless otherwise specified, dimensions are in inches. Tolerances are applicable when specified.

These drawings and specifications contain proprietary information which is the property of Times Microwave Systems.

Approvals

Drawn	JCL	6/14/99
Check		
Prj. Mgr.		
Prd. Mgr.		
QA Mgr.		



TIMES MICROWAVE SYSTEMS

Wallingford, CT 06492
 (203) 949-8400; (203) 949-8423.Fax
 www.timesmicrowave.com

EZ-600-TF-RP
Reverse Polarity TNC Female (male pin)
for LMR-600 Cable

Size A	CAGE CODE 68999	Drawing No.: 3190-797
--------	-----------------	-----------------------

Scale: NA Rev. () Sheet: 1 of 1